








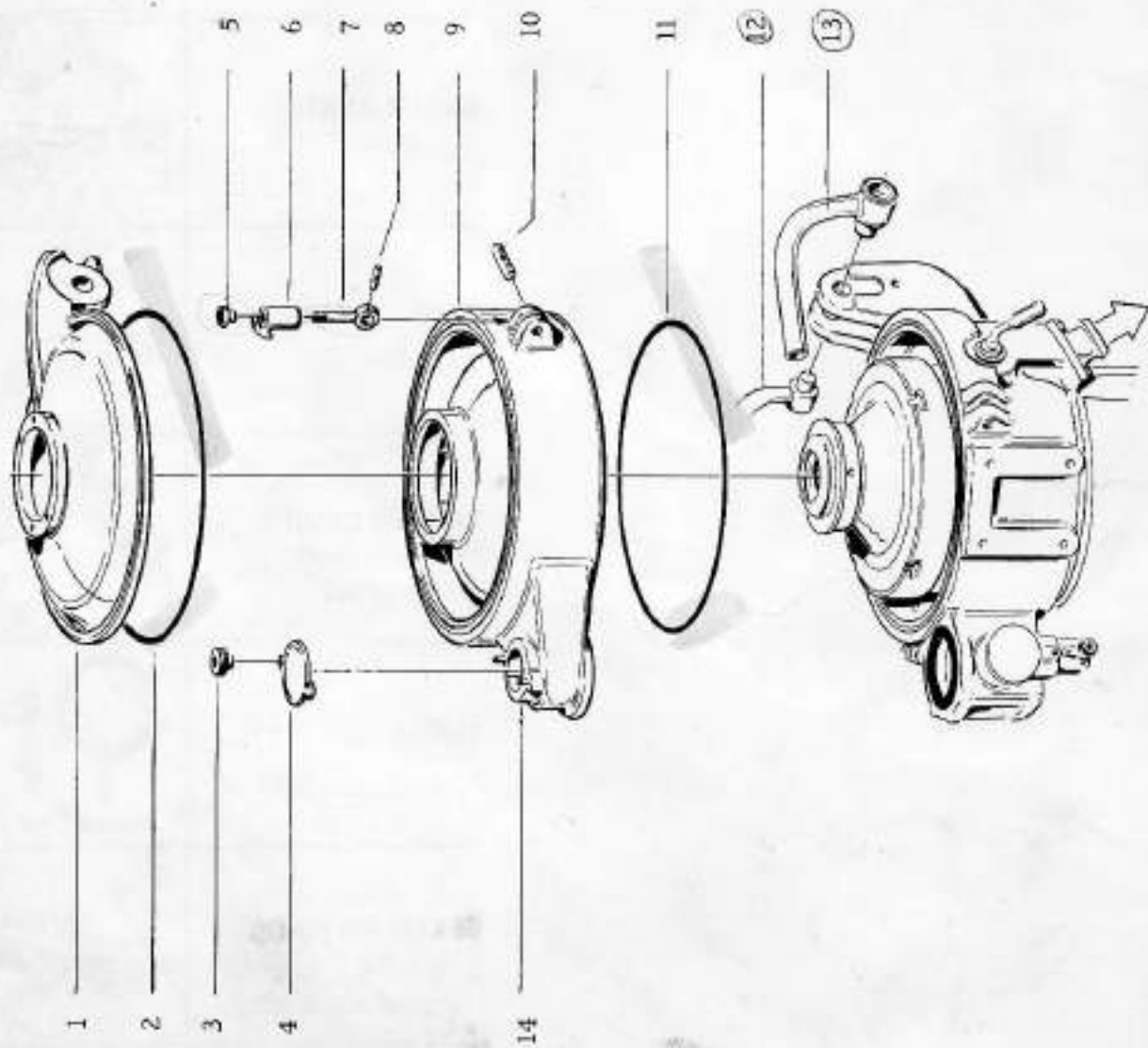
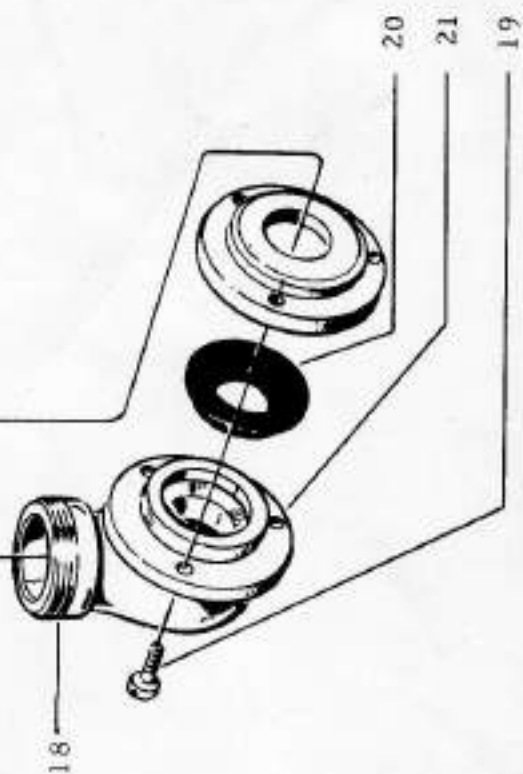
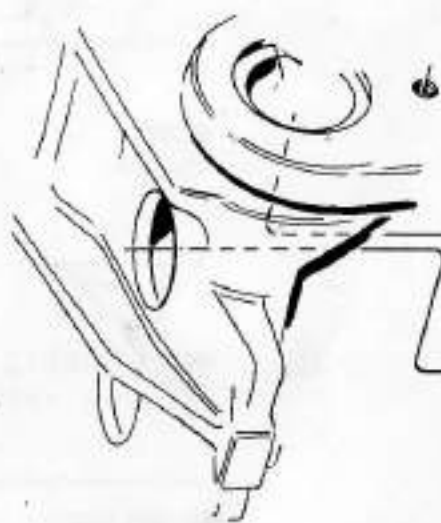
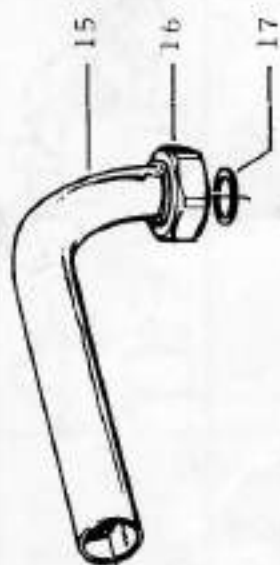


INLET AND OUTLET		10
BOWL <i>Bola</i>		20
BOWL SPINDLE <i>eje del rotor</i>		30
COUPLING <i>acoplamiento</i> WORM WHEEL SHAFT MOTOR <i>motor</i>		40
FRAME PARTS <i>carro</i>		50
PUMP <i>Bomba</i>		60
LIFTING DEVICE <i>dispositivo para izar.</i>		70
TOOLS = <i>Herramientas.</i>		80
SET OF FITTINGS <i>juego de conexiones</i>		90

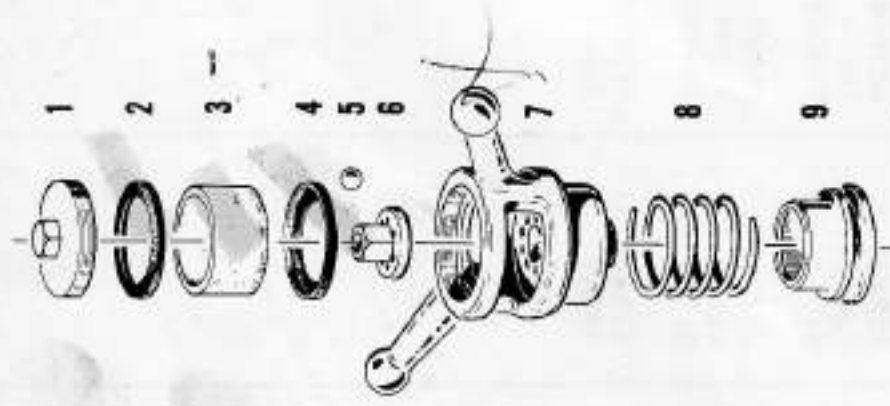
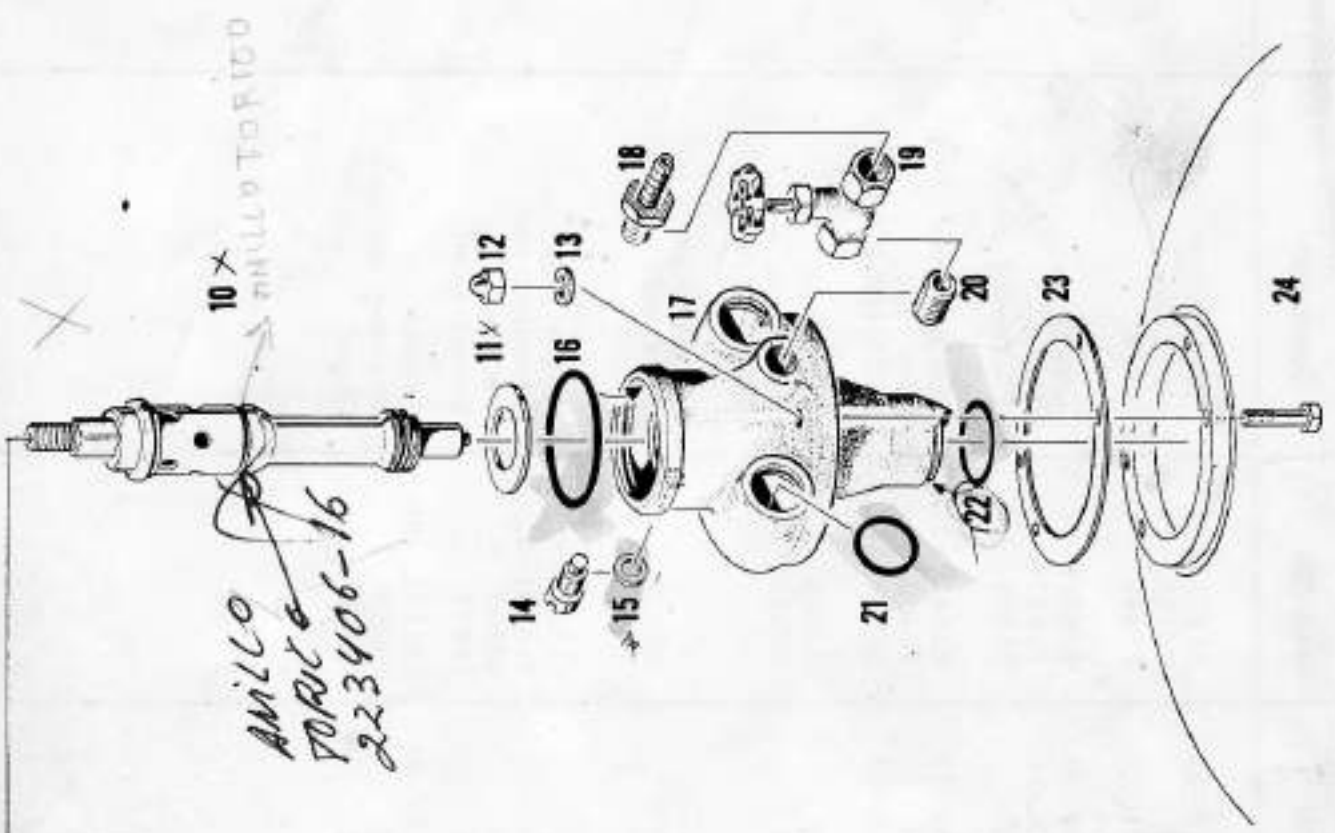
*eje de la
rueda helicoidal*



12

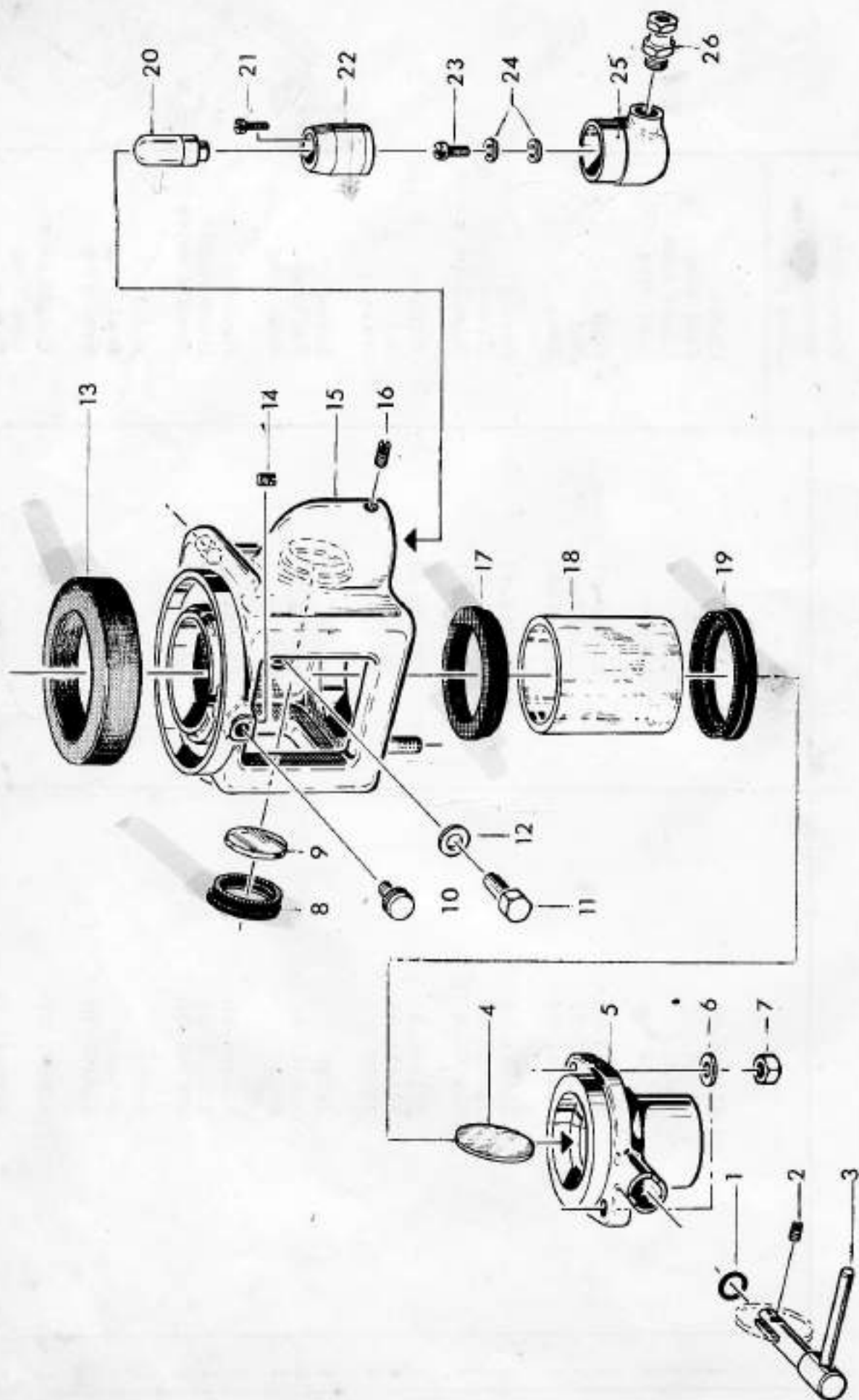
13

Pos.	Qty.	MAB 204	MAB 205	MAB 206	MAB 207	MAB 209	Description	Notes
1	1	519576-02	519574-02	519627-02	518518-02	518314-02	Top cover	
2	1	223402-01	61369	39099	71402	70146	Seal ring	
3	2	71349	71349	71349	71349	71349	Knob	
4	1	519577-02	519577-02	519577-02	518386-02	518386-02	Cover	
5	2	526716-01	526716-01	518376-02	518376-01	518376-01	Nut	
6	2	519565-02	519565-02	71391	71391	71391	Clamping shoe	
7	2	225405-07	225405-07	225444-31	225444-31	225444-31	Hinged bolt	
8	2	72474	72474	72474	72474	72474	Pin	
9	1	519575-02	519573-02	519626-02	518410-02	518313-02	Collecting cover	
10	2	222116-11	222116-25	72680	72680	72680	Hinge pin	
11	1	223402-01	61369	39099	71402	70146	Seal ring	
12	1	519593-82	519593-81	519593-80	-	-	Angle pipe	
13	1	519592-82	519592-81	519592-80	-	-	Angle pipe	
14	2	37547	37547	37547	37547	37547	Stud bolt	
15	2						Angle pipe	
16	2						Coupling nut	
17	2						Packing	
18	2						Swivel joint	
19	6						Screw	
20	2						Packing collar	
21	2						Gland	

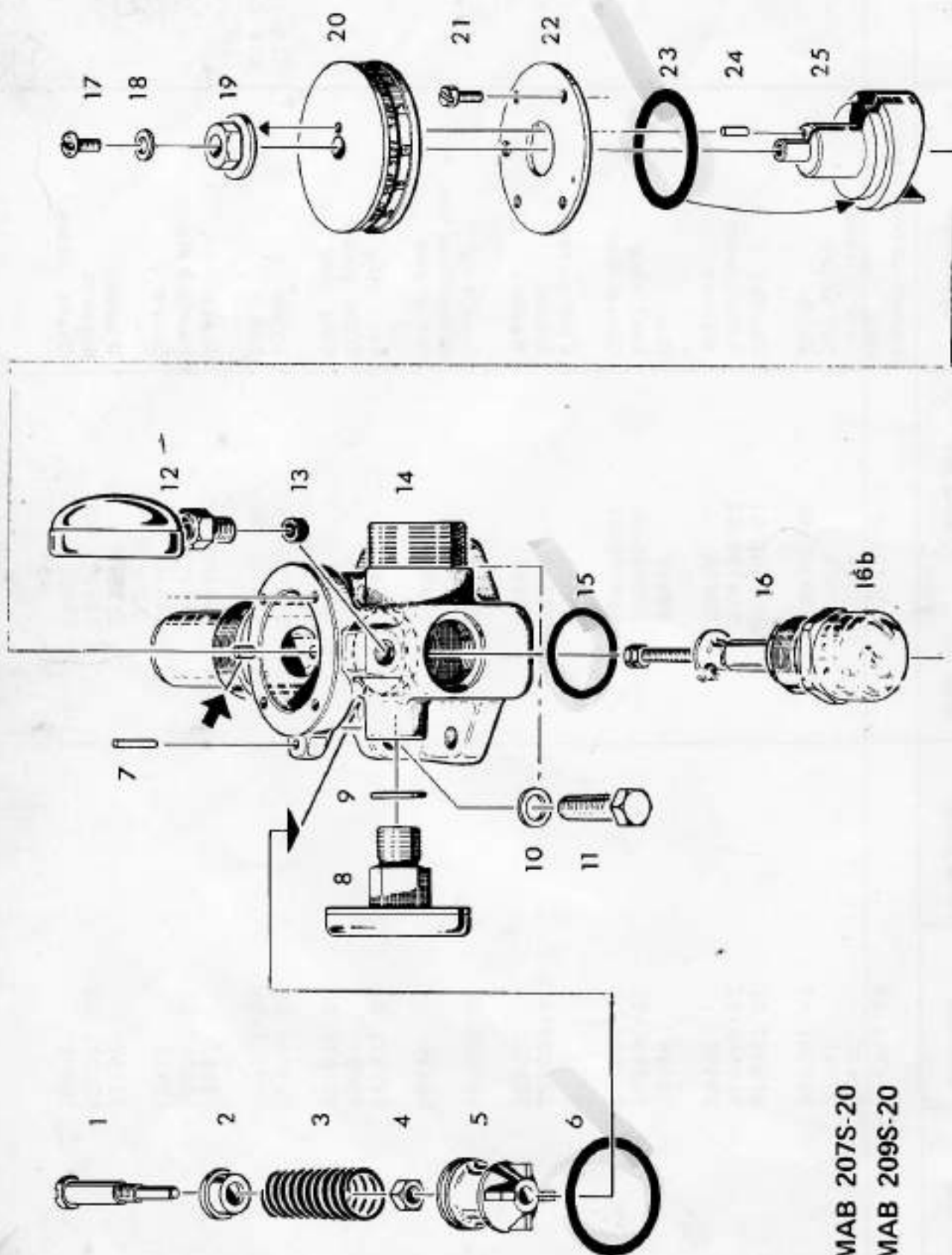


5265-3-80

Pos.	Qty.	MAB 204	MAB 205	MAB 206	MAB 207	MAB 209	Description	Notes
1-24	1						Connection housing with inlet pipe	
1	1		519606-01		519606-01		Cover	
2	1		73920		73920		Seal ring	
3	1		73921		73921		Glass tube	
4	1		73920		73920		Seal ring	
5	1		233289-03		233289-03		Ball	
6	1		526467-01		526467-01		Nut	
7	1		518341-02		518341-03		Knob	
8	1		226214-64		226214-63		Spring	
9	1		526545-02		526546-02		Sleeve	
10	1		519602-81 X		518350-81		Inlet pipe =	tube to outside
11	1		223146-02		223146-03		Washer	
12	4		221854-03		221854-03		Nut	
13	4		20758		20758		Washer	
14	1		38320		38320		Screw	
15	1		A518362-01		518362-01		Packing	
16	1		65201		64810		Seal ring	
17	1		526465-80		526530-80		Housing	
18	1		252612-03		252612-02		Hose nipple	
19	1		526334-01		526334-02		Needle valve	
20	1		27517		27515		Nipple	
21	2		68085		64706		Seal ring	
22	1		-223401-30		71866		Seal ring	
23	1-6		519607-01		539914-01		Height adjusting ring	
24	4		2210941-18		2210941-18		Screw	

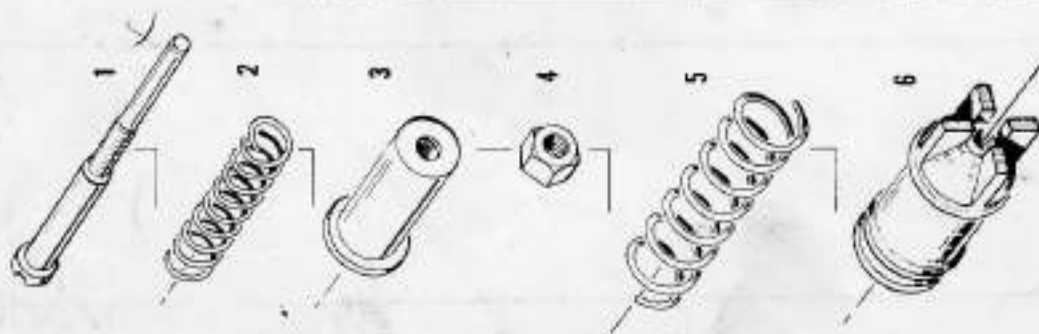
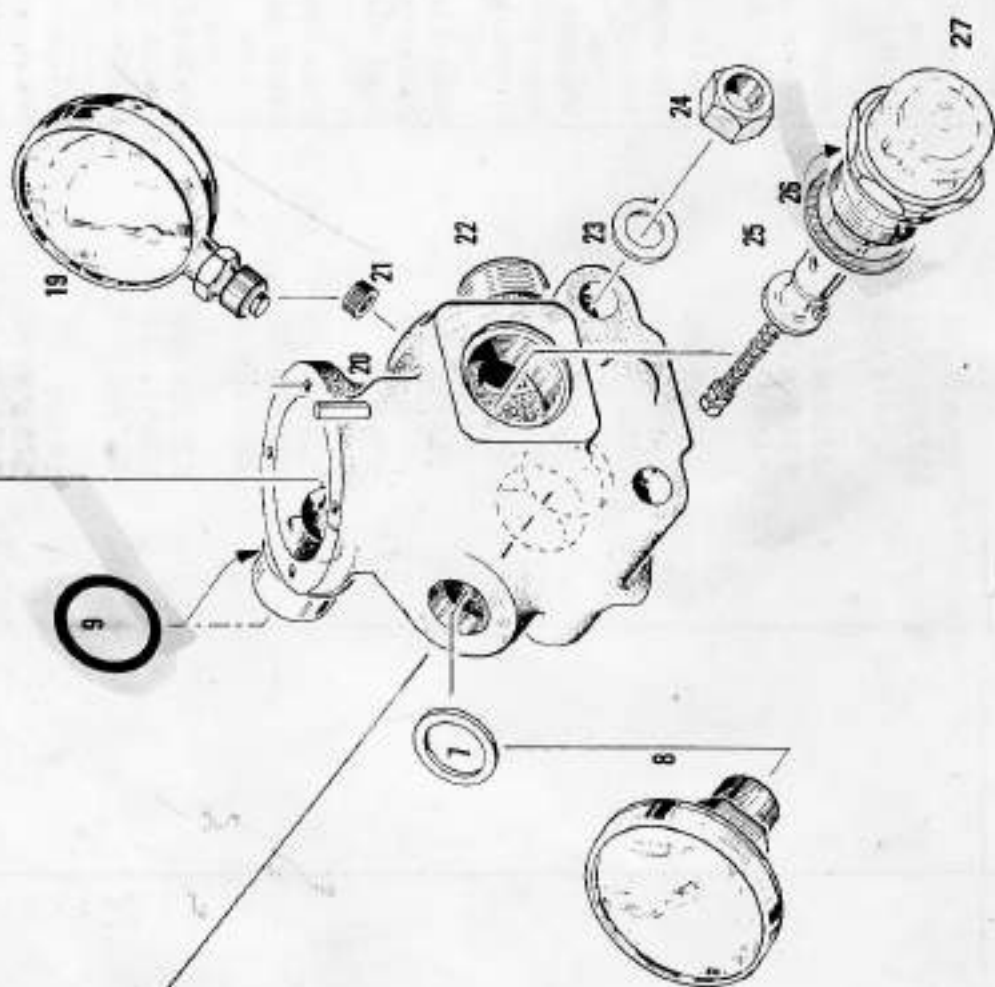
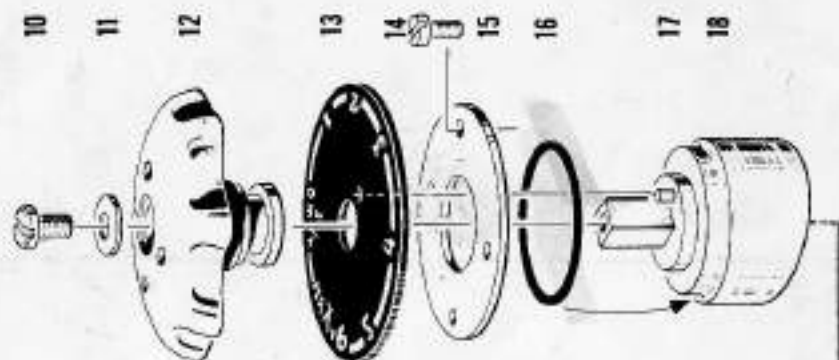


Pos.	Qty.	MAB 204	MAB 205	MAB 206-	MAB 207	MAB 209	Description	Notes
1-26	1		526753-80		526770-80		Inspection box, assem- bly	
1	1		70492		65586		Seal washer	
2	1		27581		27581		Set screw	
3	1		520361-80		520361-80		Shaft	
4	1		518392-01		518392-01		Shutter	
5	1		519582-02		518390-02		Attachment	
6	2		70492		70492		Washer	
7	2		72946		72946		Nut	
8	1		519548-01		519548-01		Seal ring	
9	1		519549-01		519549-01		Glass disc	
10	1		-		69630		Vent screw	
11	1		2210947-16		73397		Screw	
12	1		70492		70490		Washer	
13	1		519550-01		71162		Seal ring	
15	1						Inspection box	
16	1		72876		72876		Set screw	
17	1		517671-01		65247		Seal ring	
18	1		75099		65246		Sight glass	
19	1		517671-01		65247		Seal ring	
20	1		519761-05		519761-05		Lamp	E14-115V-25W
20	1		- 519761-06		519761-06		Lamp	E14-230/240V - 25W
21	1		17812		17812		Screw	
22	1		526719-01		526719-01		Lamp-holder	
23	1		17812		17812		Screw	
24	2		25357		25357		Washer	
25	1		526703-02		526703-02		Support	
26	1		18085		18085		Cable fitting	



MAB 207S-20
MAB 209S-20

Pos.	Qty.	MAB 204	MAB 205	MAB 206	MAB 207	MAB 209	Description	Notes
1-25	1				526541-80		Connection piece with flow meter - assembly	
1	1				526526-01		Spindle	
2	1				526503-01		Spring holder	
3	1				226214-62		Spring	
4	1				2218043-02		Nut	
5	1				526524-02		Valve cone	
6	1				71866		Seal ring	
7	1				222116-28		Pin	
8	1				64002		Thermometer	
9	1				9281		Seal ring	
10	2				70492		Washer	
11	2				72926		Screw	
12	1				← 543054-01		Pressure gauge	
13	1				223431-02		Seal ring	
14	1						Housing	
15					33852		Seal ring	
16	1				526542-80		Flow indicator	
16b	1				526520-01		Sight glass	
17	1				2211721-09		Screw	
18	1				223101-48		Washer	
19	1				526551-02		Twist grip	
20	1				527941-80		Scale wheel	
21	4				17824		Screw	
22	1				526598-01		Washer	
23	1				2234121-38		Seal ring	
24	1				222116-12		Pin	
25	1				526537-02		Tap	

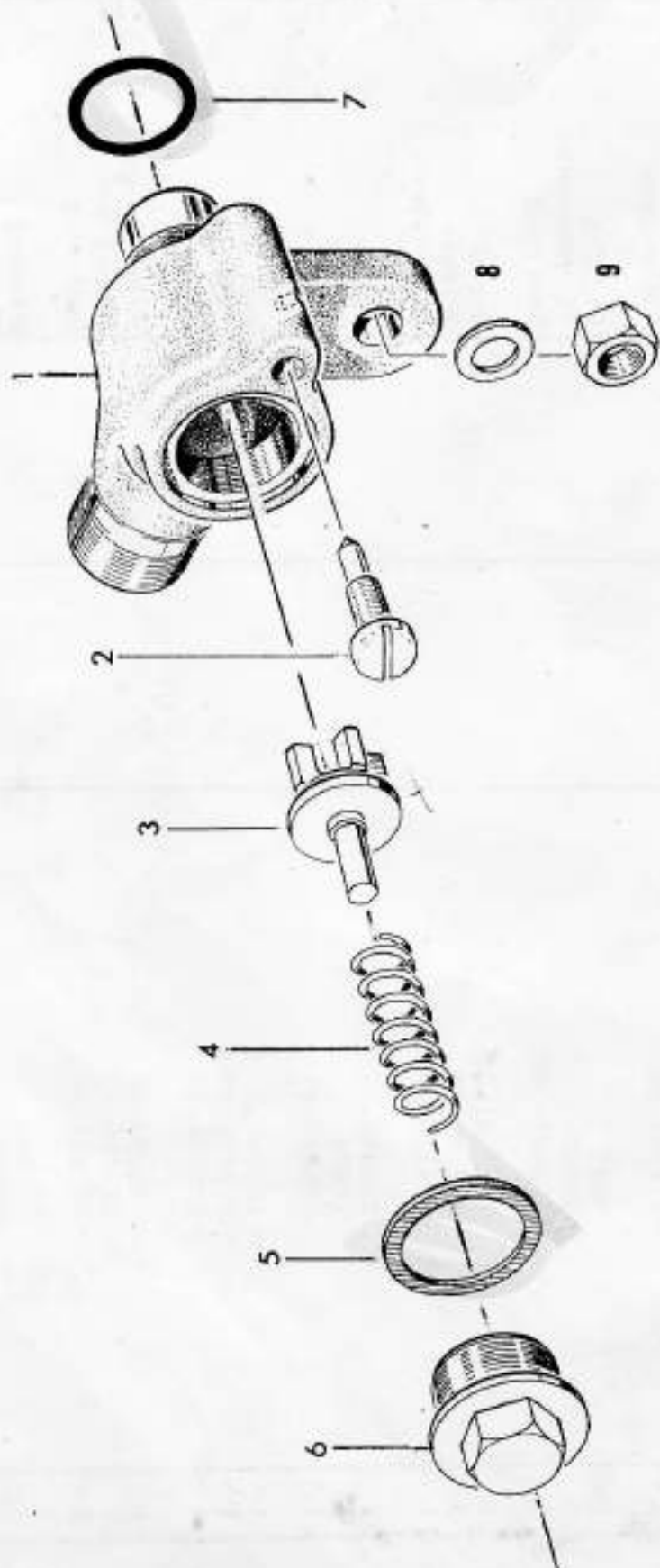


MAB 204S-20
 MAB 205S-20
 MAB 206S-20

Pos.	Qty.	MAB 204	MAB 205	MAB 206	MAB 207	MAB 209	Description	Notes
1-27	1		526540-80				Connection piece - assembly	
1	1		M 526504-01 *				Spindle	
2	1		N 226214-70				Spring	
3	1		M 527920-01				Spring holder	
4	1		S 2218043-02				Nut	
5	1		S 226214-69				Spring	
6	1+		N 526501-02				Valve cone	
7	1-3		S 9281				Packing	
8	1		S 64002				Thermometer	
9	1		S 223401-38*				Seal ring	
10	1		S 2211721-09				Screw	
11	1		N 223101-48				Washer	
12	1		N 524392-83				Hand-wheel	
13	1		N 526480-01				Scale	
14	4		N 17824				Screw	
15	1		N 526482-01				Washer	
16	1-		S 14238				Seal ring	
17	1-		S 222111-07				Cyl. pin	
18	1-		N 526536-02				Tap	
19	1		N 543054-01				Pressure gauge	
20	1		N 222116-29				Slotted pin	
21	1-		S 223431-02				Seal ring	
22	1						Housing	
23	2		N 70492				Washer	
24	2		N 72946				Nut	
25	1-		S 33852 JUNTA				Packing	
26	1+		N 526542-80 INDICADOR CAUDAL				Flow indicator	
27	1		S 526520-01 - VISOR				Sight glass	

* Not included in connection piece assembly

526306-01 ANTIGUA



Pos.	Qty.	MAB 204	MAB 205	MAB 206	MAB 207	MAB 209	Description	Notes
1-6	1		526538-80			526539-80	Connection piece with check valve	
1	1		526499-01			526499-01	Housing	
2	1		525124-01			525139-02	Drain screw	
3	1						Valve cone	
4	1		- 226214-60			226214-68	Spring	
5	1		- 518470-02			518470-02	Packing	
6	1		525125-01			525125-01	Cover	
7	1		- 223401-38			-	Seal ring	Housing - separator
7	1		-			73105	Spacing sleeve	
8	1		70492			40501	Washer	
9	1		72946			-	Nut	Housing - separator
-	1		-			72933	Screw	

MAB 204

55* mm	522700-14
65 "	522700-3
67 "	522700-5
70 "	522700-7
73,5 "	73707
79 "	522700-8
87 "	522700-9
93,5 "	522700-13



Gravity disc

The hole diameter in mm is stamped on each disc.

MAB 206

55* mm	515423-12
74 "	515423-9
77 "	515423-10
81 "	515423-11
86 "	74094
90 "	74095
98 "	75085
108,5 "	75091
119 "	74099

MAB 205

55* mm	519124-7
70 "	73729
73 "	73731
78 "	73733
83 "	73734
91 "	73735
102 "	519124-3

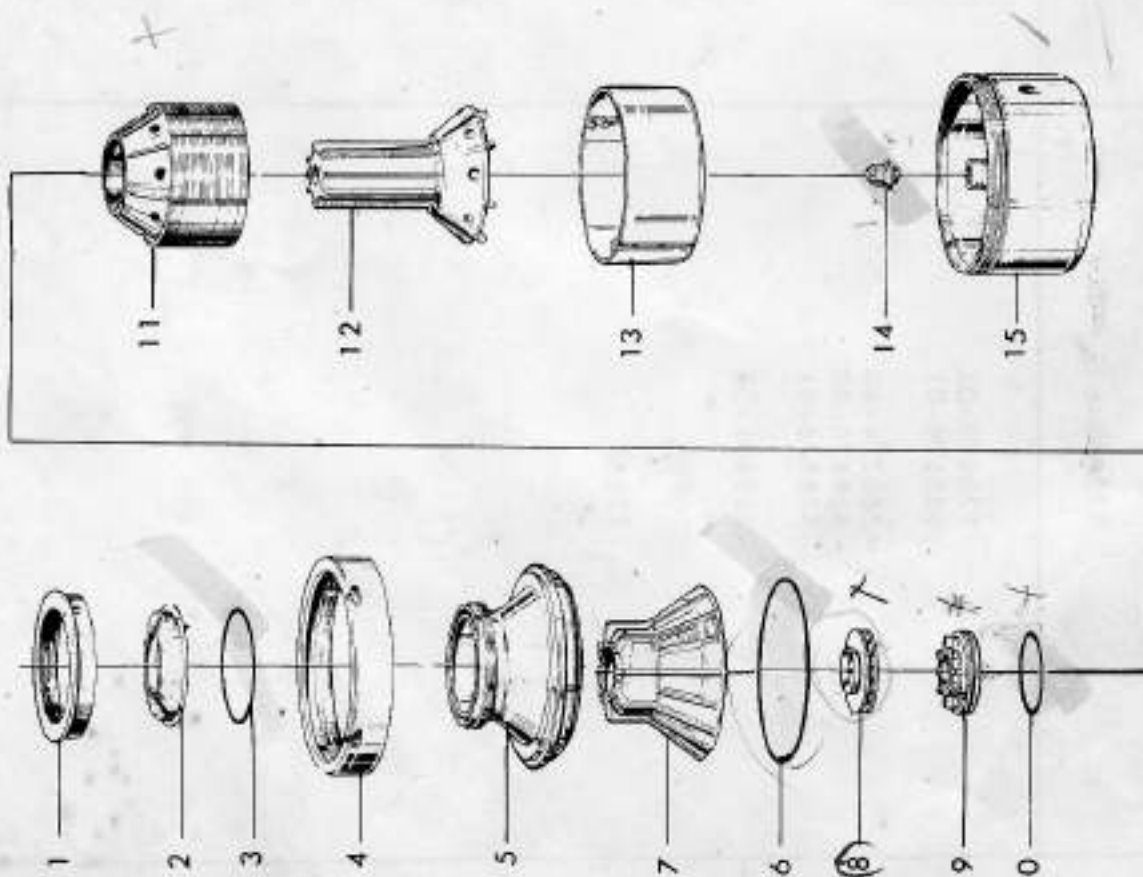
MAB 209

70*1) mm	518523-30
97,0 "	518523-31
99,5 "	518523-10
103,0 "	518523-23
107,0 "	518523-2
114,0 "	518523-14
121,0 "	518523-15
130 "	518523-4
142 "	518523-28
154 "	518523-18

MAB 207

70*1) mm	517242-9
80 "	517242-4
82 "	517242-5
84 "	517242-6
87 "	517242-7
90 "	75122
95 "	75124
102,4 "	74171
110 "	74175
120 "	74178
132 "	517242-2

*1 Always to be used when the machine is run as a clarifier.



Pos.	Qty.	MAB 204	MAB 205	MAB 206	MAB 207	MAB 209	Description	Notes
1-7 9-15	1	523110-82	526554-80	526584-80	523101-83	526898-80	Bowl assembly without paring disc	
1	1	519505-01	519499-01	518404-01	517074-01	518524-01	Lock ring, small	Left-hand thread
2		see table	see table	see table	see table	see	Gravity disc	
3	1	-223401-28	30675	69270	65594	67033	Seal ring	
4	1	519504-01*	519498-01*	518306-01*	518307-01*	518308-01*	Lock ring, large	Left-hand thread
5	1	523109-80*	513106-80*	517796-80*	518300-81*	516867-80*	Bowl hood	
6	1	-223410-09*	223412-06	11905	43764	64102	Seal ring	
7	1	523108-02*	523105-02*	526586-02*	522893-02*	526875-02*	Top disc	
8	1	543897-80	543897-80	522883-82	522884-80	522884-83	Paring disc	
9	1	521872-02	525798-02	526585-02	522894-02	522891-06	Level ring	Small diameter
9	1	521872-03	525798-03	526585-03	522894-03	522891-03	Level ring	Large diameter
10	1	223406-14	223406-14	223401-28	223408-09	30675	Seal ring	
11	1	519501-82-84	519494-82	518416-82	518417-82	518402-82	Bowl disc	
12	1	523107-80*	523104-80*	522895-80*	522892-80*	522888-80*	Distributor	
13	1	524381-80	524381-81	524381-82	524381-83	524381-84	Sludge basket	
14	1	519489-01	519489-01	518415-01	518415-01	518405-01	Cap nut	Left-hand thread
15	1	521665-80*	521667-80*	521672-80*	521679-80*	521695-80*	Bowl body	

* Exchange necessitates rebalancing - send the COMPLETE bowl to an authorized ALFA-LAVAL representative.

MAB 204

55* mm	522700-14
65 "	522700-3
67 "	522700-5
70 "	522700-7
73,5 "	73707*
79 "	522700-8
87 "	522700-9
93,5 "	522700-13



Gravity discs
The hole diameter in mm is stamped on each disc.

MAB 206

55* mm	515423-12
74 "	515423-9
77 "	515423-10
81 "	515423-11
86 "	74094
90 "	74095
98 "	75085
108,5 "	75091
119 "	74099

MAB 205

55* mm	519124-7
70 "	73729
73 "	73731
78 "	73733
83 "	73734
91 "	73735
102 "	519124-3

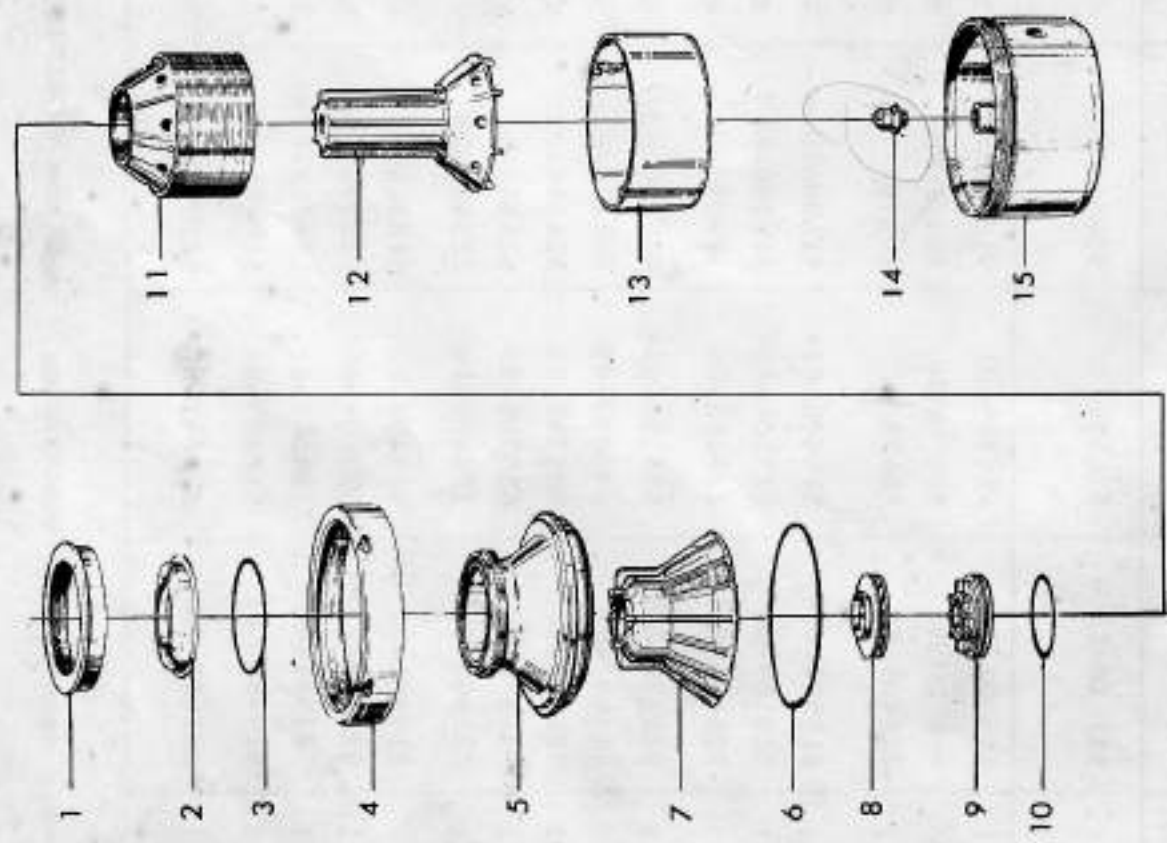
MAB 209

70*1) mm	518523-30
97,0 "	518523-31
99,5 "	518523-10
103,0 "	518523-23
107,0 "	518523-2
114,0 "	518523-14
121,0 "	518523-15
130 "	518523-4
142 "	518523-28
154 "	518523-18

MAB 207

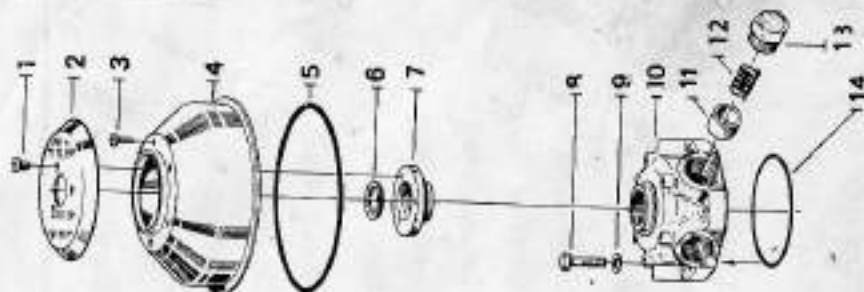
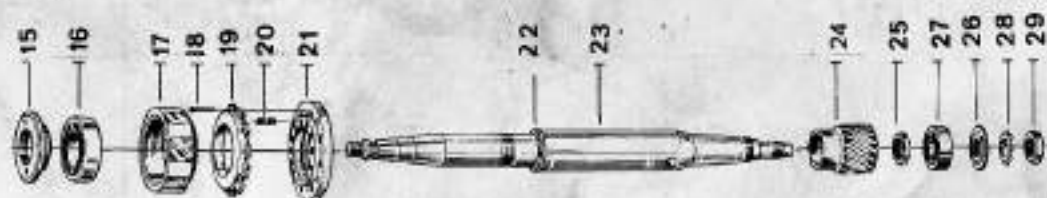
70*1) mm	517242-9
80 "	517242-4
82 "	517242-5
84 "	517242-6
87 "	517242-7
90 "	75122
95 "	75124
102,4 "	74171
110 "	74175
120 "	74178
132 "	517242-2

*1 Always to be used when the machine is run as a clarifier.

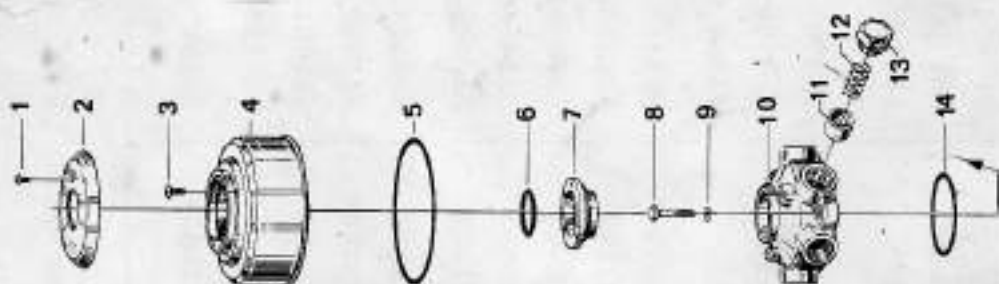


Pos.	Qty.	MAB 204	MAB 205	MAB 206	MAB 207	MAB 209	Description	Notes
1-7 9-15	1	523110-84	526554-81	526584-81	523101-84	526898-81	Bowl assembly without paring disc	
1	1	519505-01	519499-01	518404-01	517074-01	518524-01	Lock ring, small	Left-hand thread
2		see table	see table	see table	see table	see	Gravity disc	
3	1	223401-28	30675	69270	65594	67033	Seal ring	
4	1	519504-01*	519498-01*	518306-01*	518307-01*	518308-01*	Lock ring, large	Left-hand thread
5	1	523109-82*	523106-82*	517796-82*	518300-82*	516867-82*	Bowl hood	
6	1	223410-09	223412-06	11905	43764	64102	Seal ring	
7	1	523108-02*	523105-02*	526586-02*	522893-02*	526875-02*	Top disc	
8	1	513897-80	543897-80	522883-82	522884-80	522884-83	Paring disc	
9	1	521872-02	525798-02	526585-02	522894-02	522891-06	Level ring	Small diameter
9	1	521872-03	525798-03	526585-03	522894-03	522891-03	Level ring	Large diameter
10	1	223406-14	223406-14	223401-28	223408-09	30675	Seal ring	
11	1	519501-82	519494-82	518416-82	518417-85	518402-89	Bowl disc	
12	1	523107-80*	523104-80*	522895-80*	522892-80*	522888-80*	Distributor	
13	1	524381-80	524381-81	524381-82	524381-83	524381-84	Sludge basket	
14	1	519489-01	519489-01	518415-01	518415-01	518405-01	Cap nut	Left-hand thread
15	1	521665-80*	521667-80*	521672-80*	521679-80*	521695-80*	Bowl body	

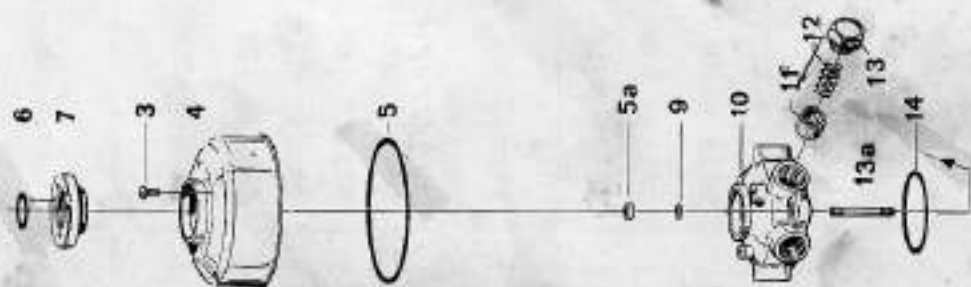
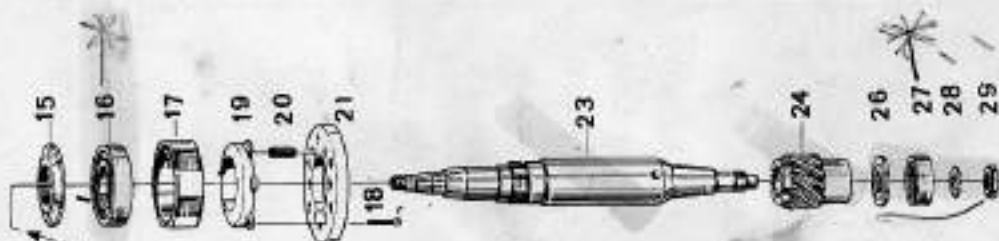
* Exchange necessitates rebalancing - send the COMPLETE bowl to an authorized ALFA-LAVAL representative.



MAB 2095-20



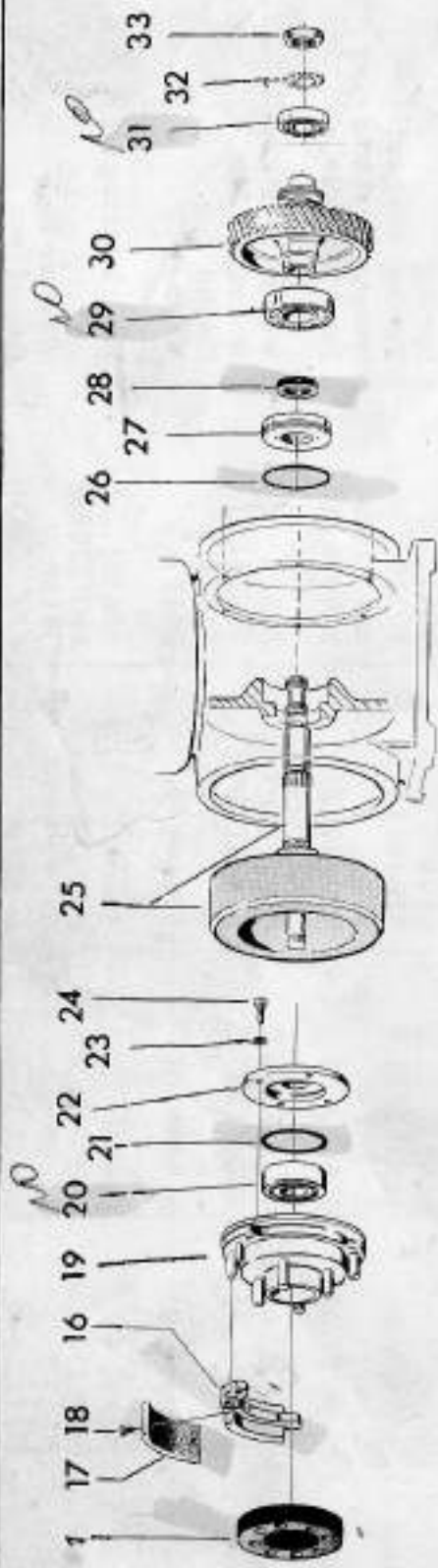
MAB 2065-20 MAB 2075-20



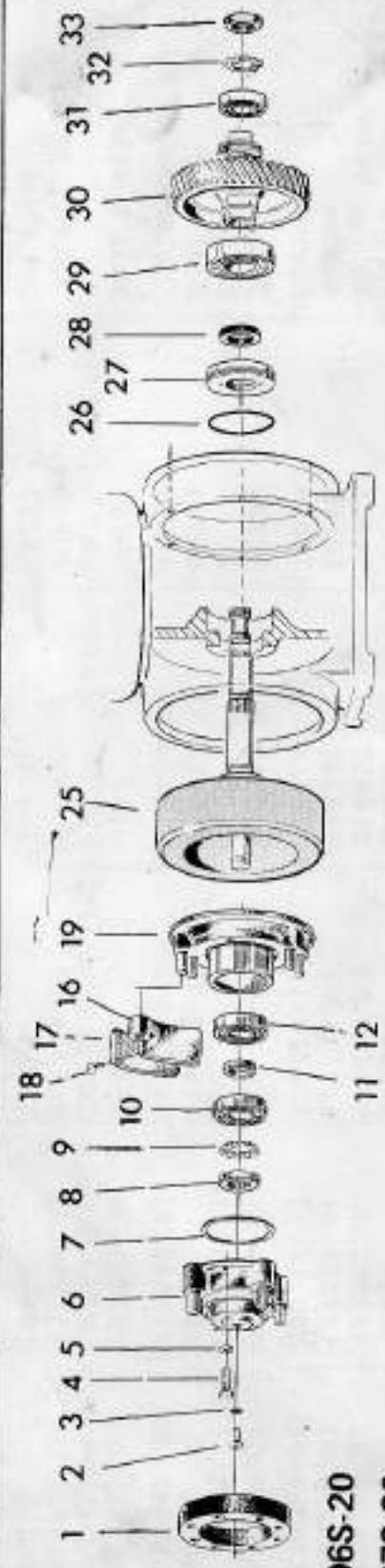
MAB 2045-20 MAB 2055-20

Pos.	Qty.	MAB 204	MAB 205	MAB 206	MAB 207	MAB 209	Description	Notes
1	3	-	-	2211721-07	2211721-07	2211725-06	Screw	
2	1	-	-	518458-01	518458-02	518398-01	Top shield	
3	1	2211721-09	2211721-09	2211721-07	2211721-07	2211723-08	Screw	
4	1	523260-01	523260-01	518457-01	518457-01	70888	Protecting cap	
5	1	223408-04	223408-04	223412-04	223412-04	38401	Seal ring	
6	1	33336	33336	64706	71866	71866	Seal ring	
7	1	519545-02	519545-02	518438-02	518438-03	70222	Throw-off collar	
8	6	-	-	2210947-04	2210947-04	2210947-02	Screw	
9	1	40040	40040	62094	62094	62094	Spring washer	
10	1	523257-02	523257-02	518437-02	518437-02	70217	Spring casing	
11	6	523258-01	523258-01	518348-01	518348-01	70218	Buffer	
12	6	226214-37	226214-37	226214-13	226214-13	70219	Spring	
13	6	523259-01	523259-01	518349-01	518349-01	70220	Plug	
13a	3	2216241-10	2216241-10	-	-	-	Stud bolt	
14	1	38411	38411	223412-02	223412-02	65594	Seal ring	
15	1	519542-02	519542-02	518436-02	518436-02	70216	Oil deflector	
16	1	233211-06	233211-06	9684	9684	9876	Ball bearing	
17	1	SKF6307MA/P6	SKF6307MA/P6	SKF6309MA/P6	SKF6309MA/P6	SKF6310MA/P6	Bearing housing	
18	2	523256-02	523256-02	518435-02	518435-02	70212	Split pin	
19	1	16434	16434	16434	16434	64227	Wear ring	
20	12	9699	9699	518462-01	518462-01	70211	Spring	
21	1	523254-02	523254-02	9699	9699	9699	Spring support	
22	0-3	-	-	518461-01	518461-01	see table*)	Height adjusting ring	
23	1	519539-01	519539-01	518463-01	524180-01	518396-01	Bowl spindle	
24	1	519621-02	519621-02	518441-09	518441-07	71911	Worm <u>50 Hz</u>	*) 70213(2mm)
25	1	519621-01	519621-01	518441-05	518441-03	71915	Worm 60 Hz	70214(4mm)
26	1	519546-01	519546-01	-	-	11522	Round nut	70215(6mm)
27	1	34414	34414	518459-01	518459-01	8511	Washer	
28	1	SKF2304M	SKF2304 M	60695	60695	60695	Ball bearing	
29	1	34912	34912	SKF2305M	SKF2305M	SKF2305M	Washer	
	1	67471	67471	38159	38159	38159	Round nut	
	1	67471	67471	67472	67472	67472		

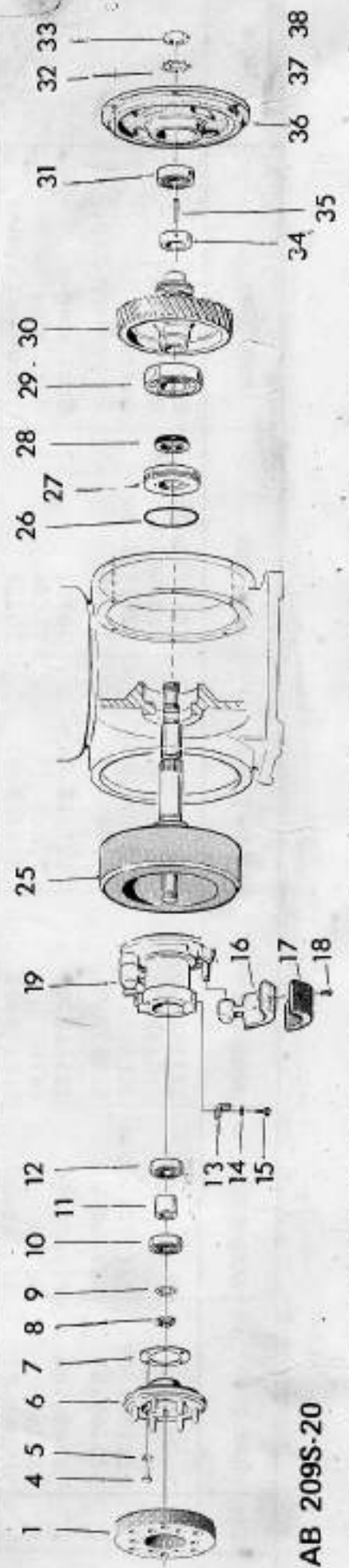
30.12



MAB 204S-20
MAB 205S-20



MAB 206S-20
MAB 207S-20

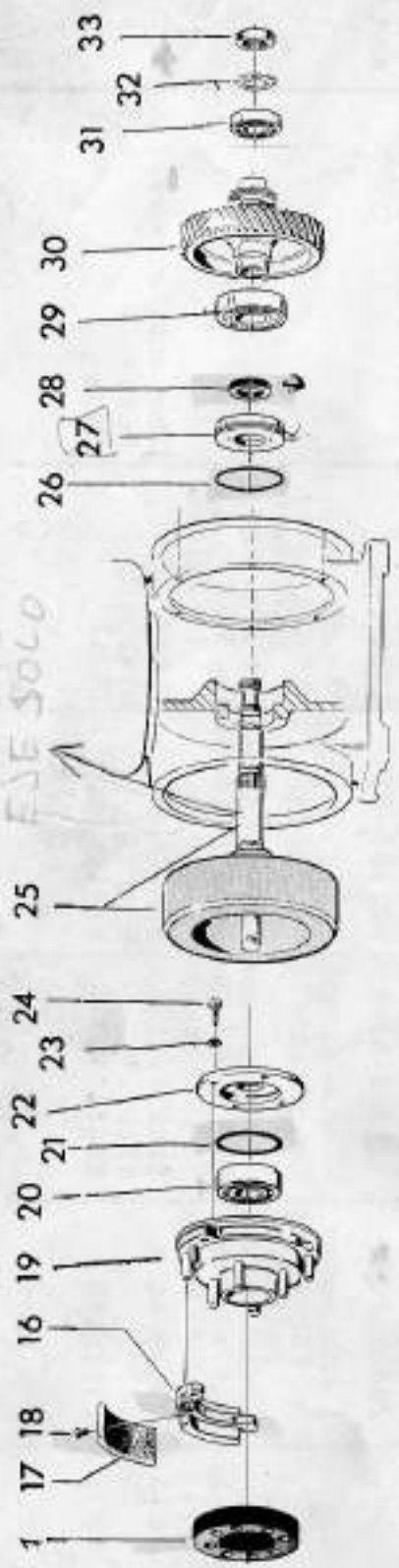


MAB 209S-20

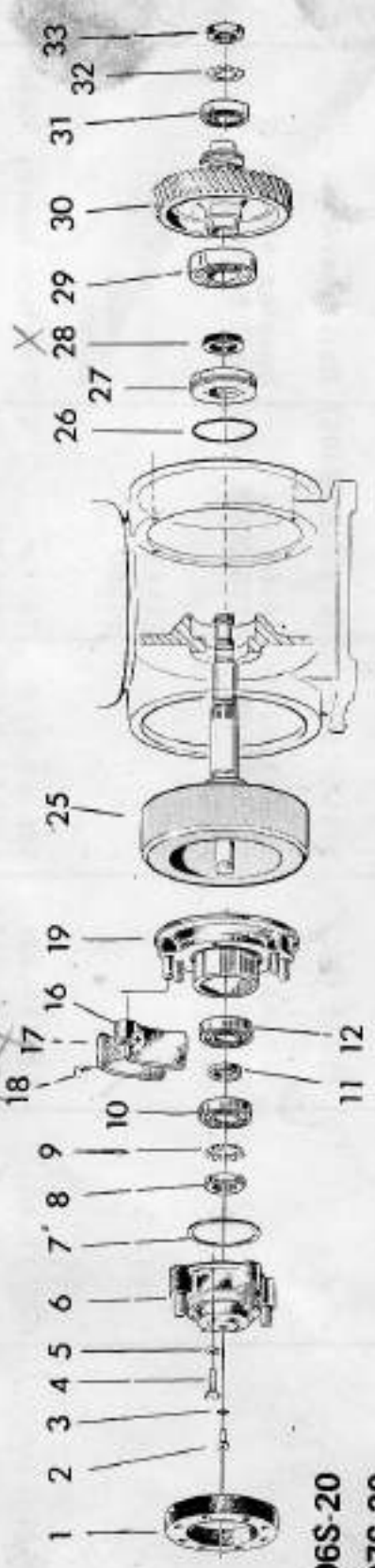
Pos.	Qty.	MAB 204	MAB 205	MAB 206	MAB 207	MAB 209	Description	Notes
1	1	519532-01	519532-01	518484-01	518484-01	60571	Elastic plate	
2	1	-	-	2211725-06	2211725-06	-	Screw	
3	1	-	-	39518	39518	-	Packing	
4	-	-	-	2210941-17	2210941-17	72933	Screw	
5	-	-	-	40040	40040	40040	Spring washer	
6	-	-	-	518444-80	518444-80	65155	Coupling disc	
7	1	-	-	64702	64702	38164	Packing	SKF KM 5
8	1	-	-	67472	67472	67472	Round nut	SKF MB 5
9	1	-	-	38159	38159	38159	Lock washer	
10	1	-	-	11455 (SKF 6205)	11455 (SKF 6205)	7026 (SKF6305)	Ball bearing	
11	1	-	-	518483-01	518483-01	38160	Spacing sleeve	
12	1	-	-	11455 (SKF 6205)	11455 (SKF 6205)	8726 (SKF 6206)	Ball bearing	
13	3	-	-	-	-	65158	Bracket	
14	3	-	-	-	-	40040	Washer	
15	3	-	-	-	-	-	Screw	
16-18	3	527983-80	527983-80	526769-83*	526769-83*	74313*	Friction block, 50Hz	Compl. with pad and screws
				527981-81**	527981-81**	71623**		
				527981-81*	527981-80*	74315*	Friction block, 60Hz	Compl. with pad and screws
				527981-82**	527981-82**	69892**		
16-18	3	528001-80	528001-80**	*) with pumps	*) with pumps	*) with pumps		
				No. 526150-86	No. 538718-80	No. 526160-81		
				538720-80	**) with pumps	538719-80		
				No. 526140-85	No. 526150-88	No. 526030-86		
				538720-81	538718-83	538721-80		
17-18	1	519619-80	519619-80	518478-81	518478-81	71627	Pad with screws	
18	1	8341	8341	8341	8341	8341	Screw	
19	1	519528-80	519528-80	518443-80	518443-80	65152	Nave	

519619-81

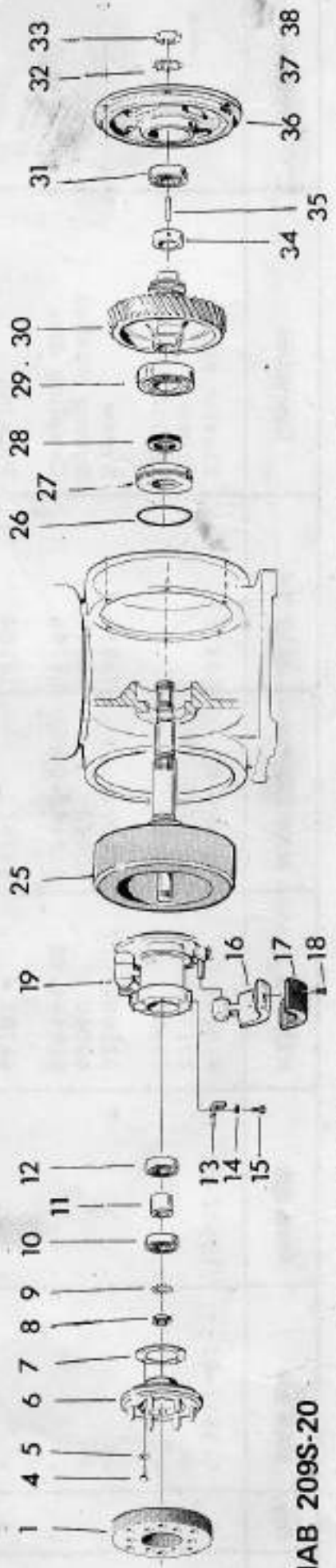
526690-02
EYE SOLD



MAB 204S-20
MAB 205S-20



MAB 206S-20
MAB 207S-20



MAB 209S-20

Pos.	Qty.	MAB 204	MAB 205	MAB 206	MAB 207	MAB 209	Description	Notes	
20	1	7026	7026	-	-	-	Ball bearing	SKF 6305	
21	1	223406-03	223406-03	-	-	-	Seal ring		
22	1	519529-02	519529-02	-	-	-	Cover		
23	4	72896	72896	-	-	-	Washer		
24	4	2211721-09	2211721-09	-	-	-	Screw		
25	1	526690-80	526690-80	526752-80	526752-80	-	Worm wheel shaft		
25	1	526690-81 *	526690-81 *	526752-81 *	526752-81 *	-	Worm wheel shaft		
8, 9, 25						525156-82	Worm wheel shaft with		
32, 33	1					525156-84 *	coupling drum, washers and round nuts.		
26	1	64702	64702	70940	70940	223412-21	Seal ring		
27	1	526704-01	526704-01	526764-01	526764-01	528098-01	Seal washer		
28	1	223521-12	223521-12	223521-15	223521-15	73547	Lip seal ring		
29	1	7142(SKF6207)	7142(SKF6207)	8132(SKF6208)	8132(SKF6208)	68827(SKF6211)	Ball bearing		
30	1	526700-80	526700-80	526723-85	526723-83	528100-86	Worm wheel, 50Hz		
30	1	526701-80	526701-80	526723-87	526723-81	528100-87	Worm wheel, 60Hz		
31	1	38131	38131	11455	11455	6525	Ball bearing		
32	1	(SKF 6304)	(SKF 6304)	(SKF 6205)	(SKF 6205)	(SKF 6306)	Washer		
33	1	34912	34912	38159	38159	37992	Washer		
33	1	(SKF MB4)	(SKF MB4)	(SKF MB5)	(SKF MB6)	(SKF MB6)	Round nut		
34	1	67471	67471	67472	67472	67473	Round nut		
34	1	(SKF KM4)	(SKF KM4)	(SKF KM5)	(SKF KM5)	(SKF KM6)	Stop ring		
35	1	-	-	-	-	65170	Pin		
36	1	-	-	-	-	64729	Bearing shield		
37	6	-	-	-	-	40040	Washer		
38	6	-	-	-	-	72933	Screw		
68									

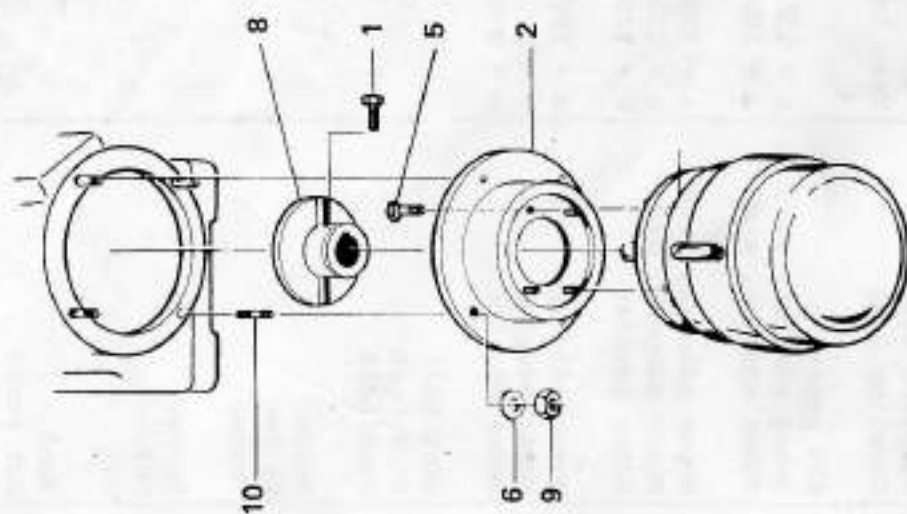
*) For feed pump with flexible coupling.

Pos.	Qty.	MAB 204	MAB 205	MAB 206	MAB 207	MAB 209	Description	Notes
1	1			518447-80		-	Coupling disc	Nave length 75 mm
1	1			-		533487-80	Coupling disc	Nave length 105 mm
1	1			-		533487-81	Coupling disc	
2				520244-02		2210941-18	Set screw	
b	1	73539		518448-80		-	Motor adapter, assy	a = 130 mm
b	1	519533-80		518449-80		520569-80	Motor adapter, assy	a = 180 mm
b	1	519534-80				-	Motor adapter, assy	a = 230 mm
3	1	524927-81		520432-80		519943-82	Motor adapter, assy	a = 250 mm
b	1	-		526815-80		70622	Motor adapter	a = 130 mm
3	1	519533-02		518448-02		-	Motor adapter	
3	1	519534-02		518449-02		520569-02	Motor adapter	a = 180 mm
3	1	524927-03		520432-02		519943-04	Motor adapter	a = 230 mm
3	1	-		526815-02		-	Motor adapter	a = 250 mm
4	4	70485 *		2216261-01 ** / ****		2216261-01 **	Stud bolt	
4	4	2216261-01 ** / ****		70485 *		2216261-02 ***	Stud bolt	
4	4	-		70489 ****		66690 ****	Stud bolt	
5	4	72926		2210947-16 * / ** 72926 **** / ****		73397	Screw	
6	4	70492		70492		223101-50	Washer	
7	4	-		70490 ****		-	Washer	
7	4	20758 * 70492 ** / ****		20758 * 70492 ** / ****		70490	Washer	
8	4	73200 * 72946 ** / ****		73200 * 72946 ** / ****		2218043-04 ****	Nut	
8	4	-		2218043-04 ****		-	Nut	
9	1	519531-01		-		-	Hood	
10	1	2210935-20		221585-05		-	Set screw	
11	1	-		518446-02 *		-	Nave	

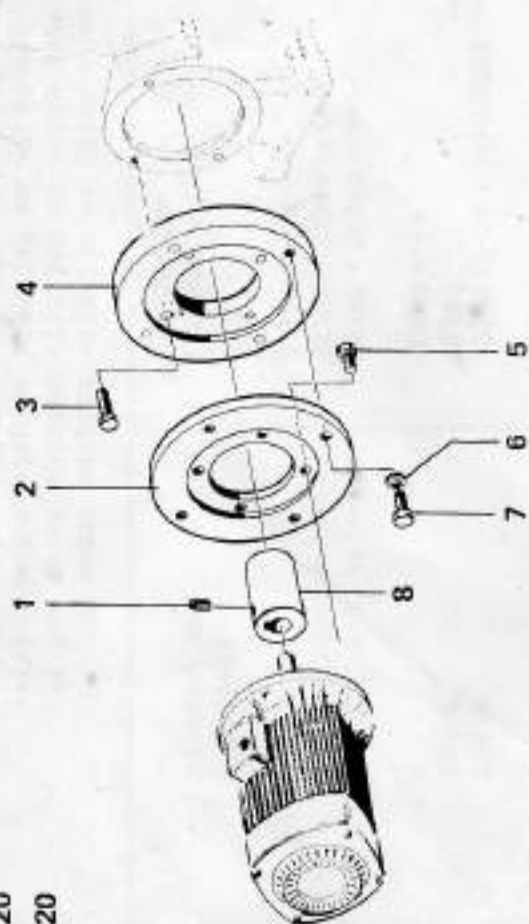
40.22

* For motor adapter with 130 mm guide diameter
 ** For motor adapter with 180 mm guide diameter
 *** For motor adapter with 230 mm guide diameter
 **** For motor adapter with 250 mm guide diameter
 ***** For motor adapter with 230 mm guide diameter, spec 4049-11

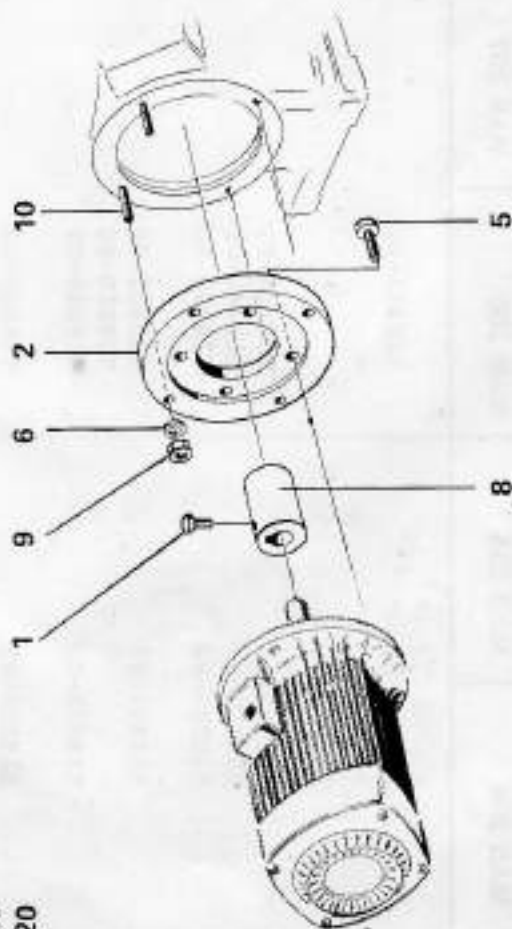
MAB 209S-20



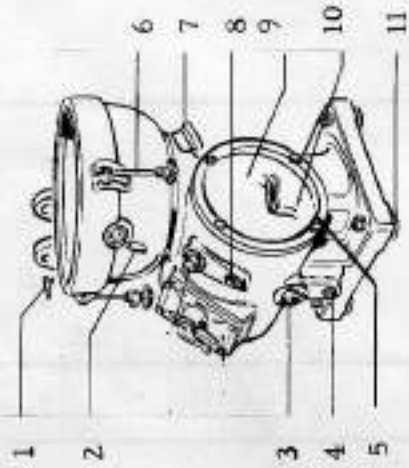
MAB 204S-20
MAB 205S-20



MAB 206S-20
MAB 207S-20



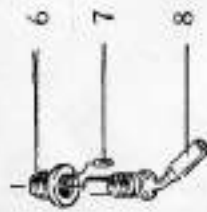
Pos.	Qty.	MAB 204	MAB 205	MAB 206	MAB 207	MAB 209	Description	Notes
1-10	1	541427-81	541427-82	541428-80		541430-81	Motor mounting, complete	
1	1	73539	73539	2210947-16		2210941-18	Set screw	
2	1	541412-01	541412-01	541407-02		541408-02	Motor adapter	
3	4	2210947-15	2210947-15	-		-	Screw	
4	1	541411-01	541411-01	-		-	Motor adapter	
5	4	2210947-15	2210947-15	2210947-16		2210947-16	Screw	
6	4	223101-50	223101-50	223101-50		70490	Washer	
7	4	2210947-16	2210947-16	-		-	Screw	
8	1	523353-07	523353-16	523352-05		520577-17	Coupling disc	
9	4	-	-	72946		2218043-04	Nut	
10	4	-	-	2216261-02		43661	Stud	



1



2

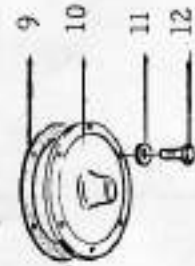


3

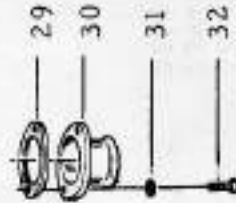
4



5



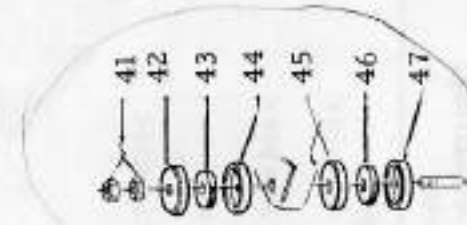
7



8



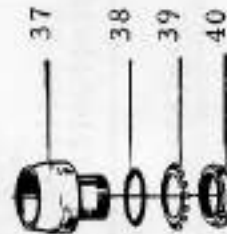
11



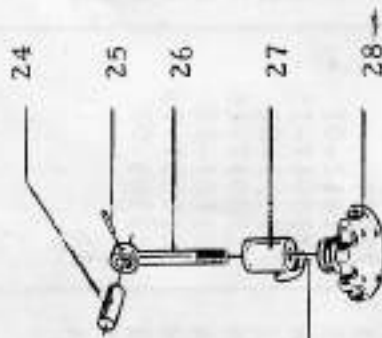
9



10



6

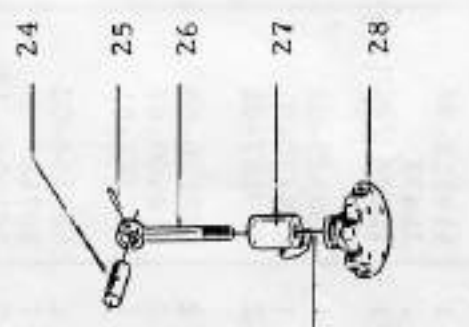
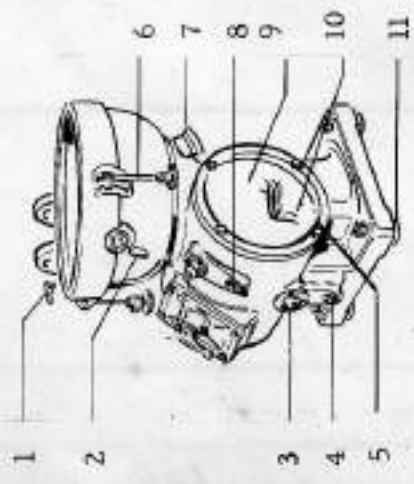


48

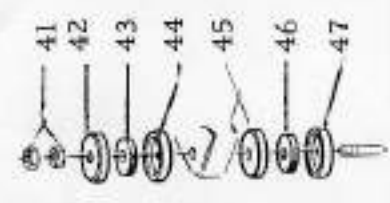
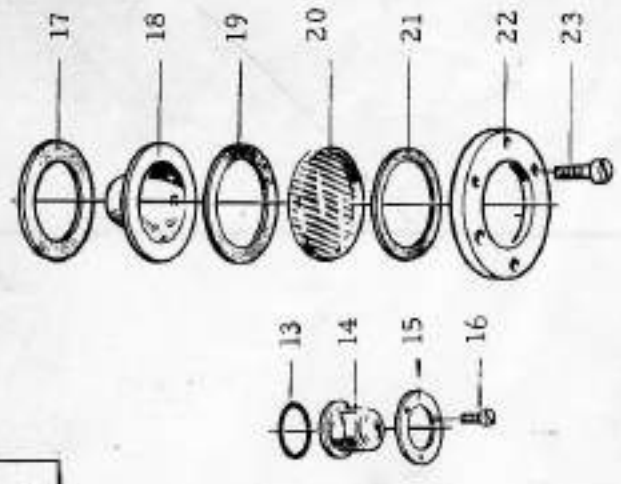
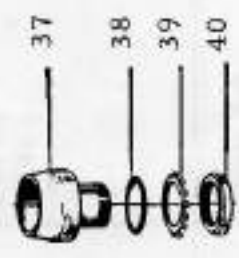
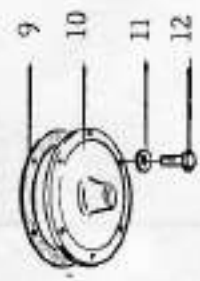
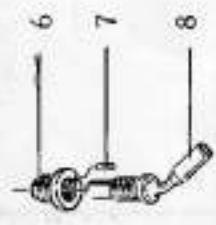
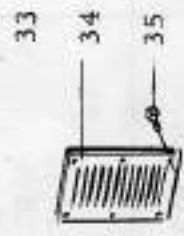
Pos.	Qty.	MAB 204	MAB 205	MAB 206	MAB 207	MAB 209	Description	Notes
1	1	519517-02	519517-02	519517-02	-	-	Pawl	
2	1	26472	26472	26472	-	-	Pin	
3	1	72876	72876	72876	-	-	Screw	
4	1	520529-02	520529-02	520529-02	520529-02	62467	Screw	
5	1	518470-01	518470-01	518470-01	518470-01	35607	Packing	
6	2	519567-01	519567-01	518408-01	518408-01	518407-01	Bushing	
7	2	222116-05	222116-05	222116-05	222116-05	222116-04	Pin	
8	2	518409-02	518409-02	518409-01	518409-01	518399-01	Lock screw	
9	1	521787-01	521787-02	518488-01	518488-01	37490	Packing	
10	1	525384-02	525384-02	526754-02	526754-02	70205	Protecting cover	
11	7	20758	20758	20758	20758	70492	Washer	
12	7	2210941-17	2210941-17	2210941-17	2210941-17	72926	Screw	
13	1	1104	1104	1104	1104	-	Packing	
14	1	8859	8859	8859	8859	-	Gauge glass	
15	1	9175	9175	9175	9175	-	Washer	
16	3	2211721-08	2211721-08	2211721-08	2211721-08	-	Screw	
17	1	-	-	-	-	38967	Packing	
18	1	-	-	-	-	61899	Guard	
19	1	-	-	-	-	38967	Packing	
20	1	-	-	-	-	38685	Glass disc	
21	1	-	-	-	-	37167	Packing	
22	1	-	-	-	-	69710	Plate	
23	1	-	-	-	-	2211721-11	Screw	

MAB 204
MAB 205

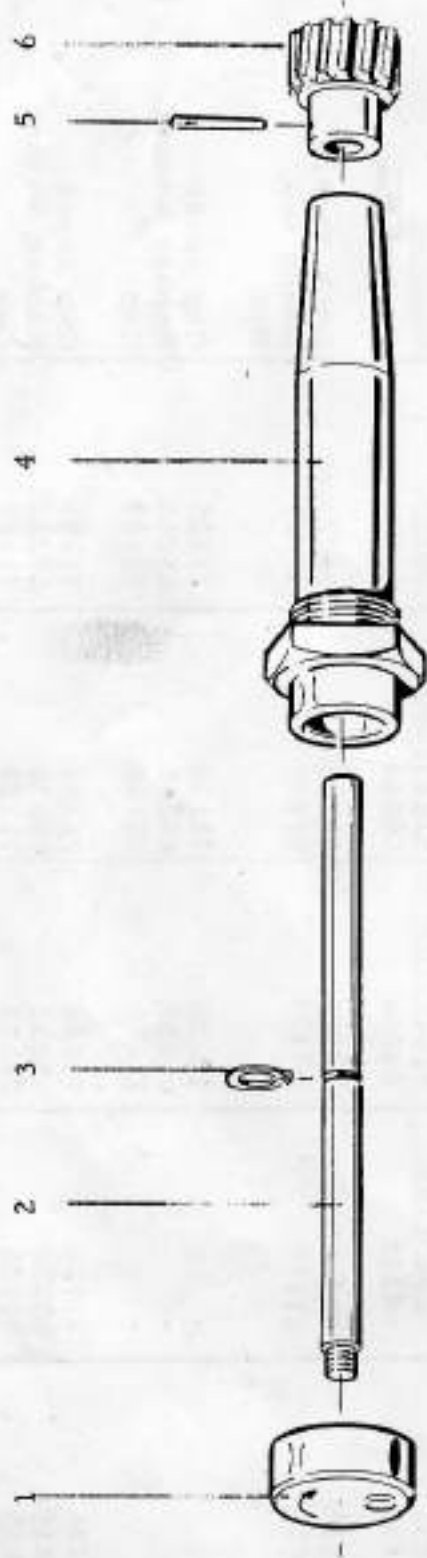
8859-01



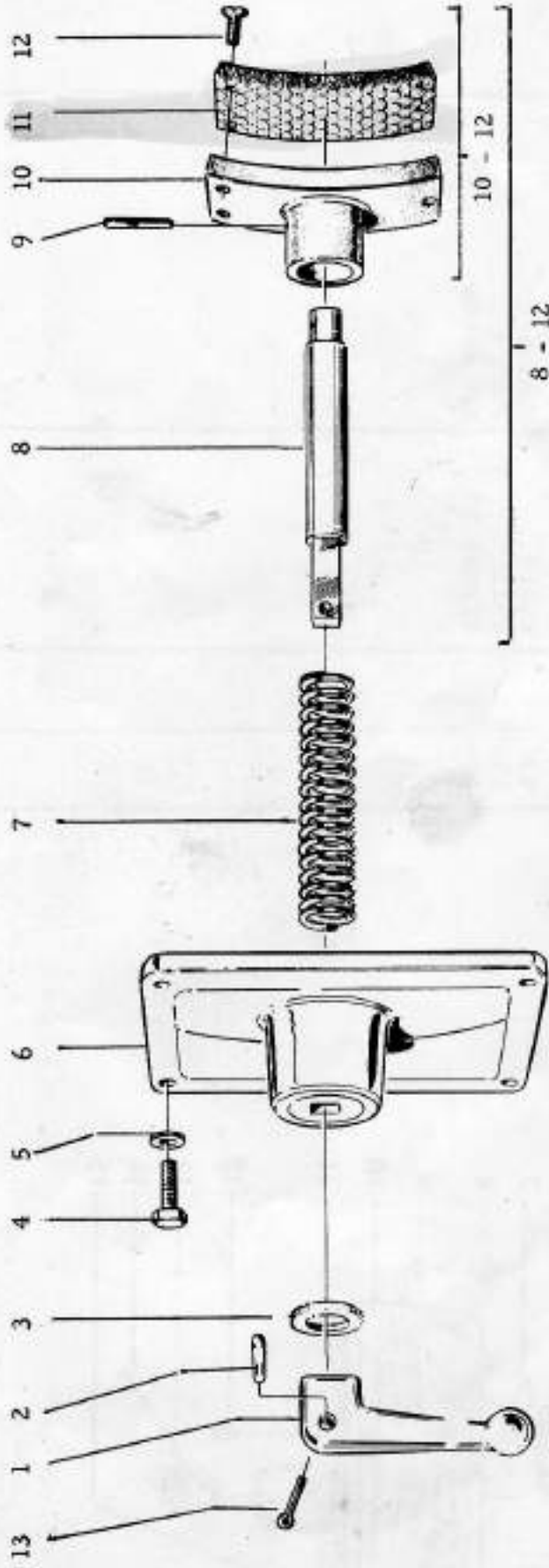
48



Pos.	Qty.	MAB 204	MAB 205	MAB 206	MAB 207	MAB 209	Description	Notes
24	3	72680	72680	72680	222137-01	222137-01	Hinge pin	
25	3	72474	72474	72474	72474	72474	Pin	
26	3	225444-32	225444-32	225444-09	225444-11	225444-01	Hinged bolt	
27	3	71391	71391	71391	71391	71391	Clamping shoe	
28	1	524392-80	524392-80	524392-80	524392-80	520491-80	Hand wheel	
29	1	519516-01	519516-01	518479-01	518479-01	518406-01	Packing	
30	1	519515-02	519515-02	518412-02	518412-02	518397-02	Flange	
31	2	20758	20758	20758	20758	20758	Washer	
32	2	2210941-17	2210941-17	2210941-17	2210941-17	2210941-17	Screw	
33	1	-	-	-	-	71385	Grating	
34	1	-	-	-	-	2211721-08	Packing	
35	6	-	-	-	-	-	Screw	
36	1	526686-02	526686-02	526686-02	526686-02	-	Screw	
37	1	519535-02	519535-02	518431-02	518431-02	70202	Bushing	
38	1	14238	14238	66554	66554	66554	Packing	
39	1	38720	38720	38723	38723	38723	Lock washer	
40	8	67475	67475	67477	67477	67477	Round nut	
41	8	-	-	-	-	-	Nut	
42	4	-	-	71126	71126	71126	Cup cover	
43	4	-	-	65235	65235	65235	Rubber washer	
44	4	-	-	71125	71125	71125	Cup	
45	4	71126	71126	71124	71124	71124	Cup cover	
46	4	65235	65235	65232	65232	65232	Rubber washer	
47	4	71125	71125	71123	71123	71123	Cup	
48	3	-	536704-02	-	-	-	Cap nut	



Ref.	Qty	MAB 204 Spec. 4048-10	MAB 205 Spec. 4049-8	MAB 206 Spec. 4022-4	MAB 207 Spec. 4023-4	Description	Notes
1-6	1					Revolution counter	
1		526694-02		526694-02		Collar	
2		526693-02		526693-01		Shaft	
3		67542		67542		Snap ring <i>anillo de retencion</i>	
4		526692-03		526692-02		Bushing	
5		69226		69226		Pin	
6		69214		69214		Pinion	



Pos.	Qty.	MAB 204	MAB 205	MAB 206	MAB 207	MAB 209	Description
1-3	1	519609-81				65221	Brake, complete
6-12	1	522749-02				533513-01	Handle
1	1	68794				39098	Pin
2	1	8115				-	Washer
3	1	72933				72933	Screw
4	4	20758				20758	Washer
5	4	52685-01				65222	Cap
6	1	32652				39096	Spring
7	1	519563-01				-	Spindle
8	1	-				65225	Brake shoe with spindle and lining
8-12	-					67960	Pin
9	1	222116-06				65226	Brake shoe
10	1	519562-02				-	Brake shoe with lining
10-12	1	519610-80				65227	Lining with screws
11-12	1	66548-00				8341	Screw
12	3	8341				8199	Split pin
13	1	-				-	

519610-80

50.41

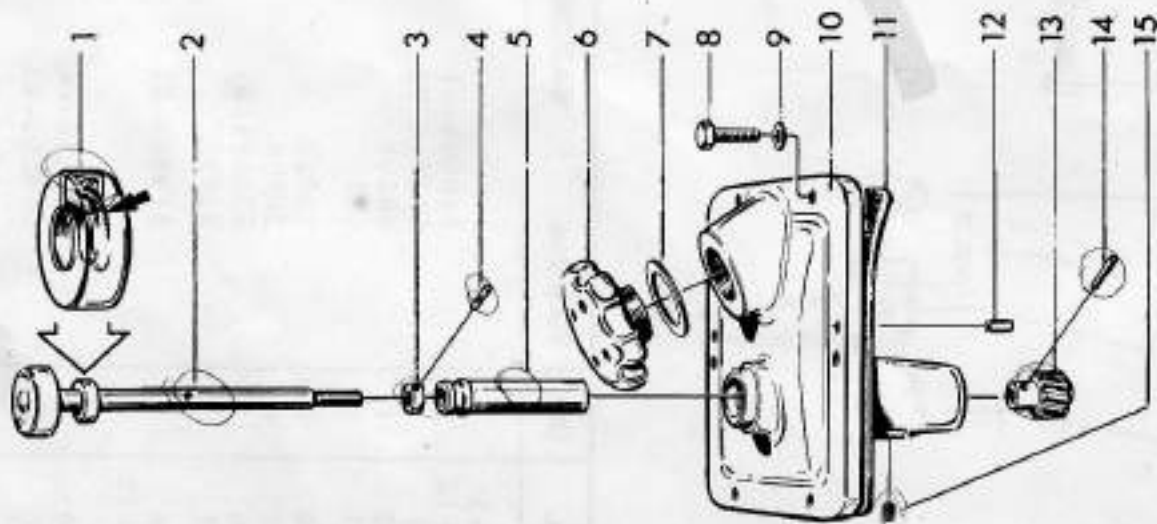
Notes

Description

MAB 209

Qty.

Pos.



Revolution counter

Seal ring

Shaft

Stop ring

Slotted pin

Bushing

Filling screw

Packing

Screw

Washer

Cap

Packing

Guide pin

Pinton

Pin

Set screw

38710

71130

69211

69212

70321

71131

38324

72933

20758

71129

65220

64426

69213

69226

221585-13

1

1

1

1

1

1

1

1

6

6

1

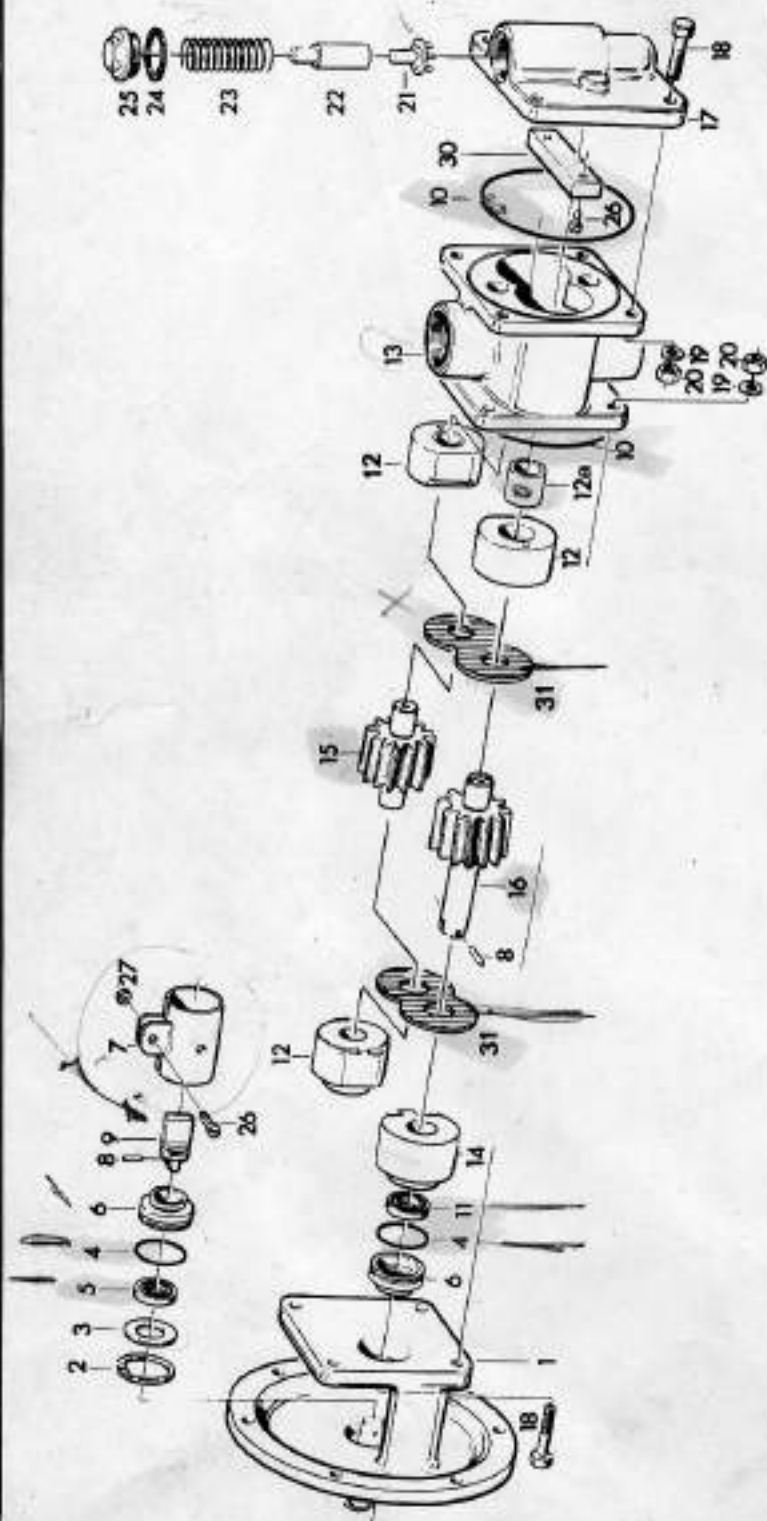
1

2

1

1

1

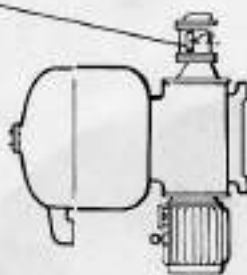
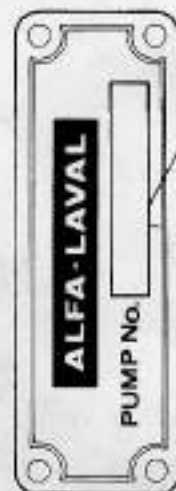


Beställ ur den reservdelislista vars pumpnummer överensstämmer med pumpskyftens.

Aus der Ersatzteilliste bestellen, deren Pumpennummer derjenigen des Pumpenschildes entspricht.

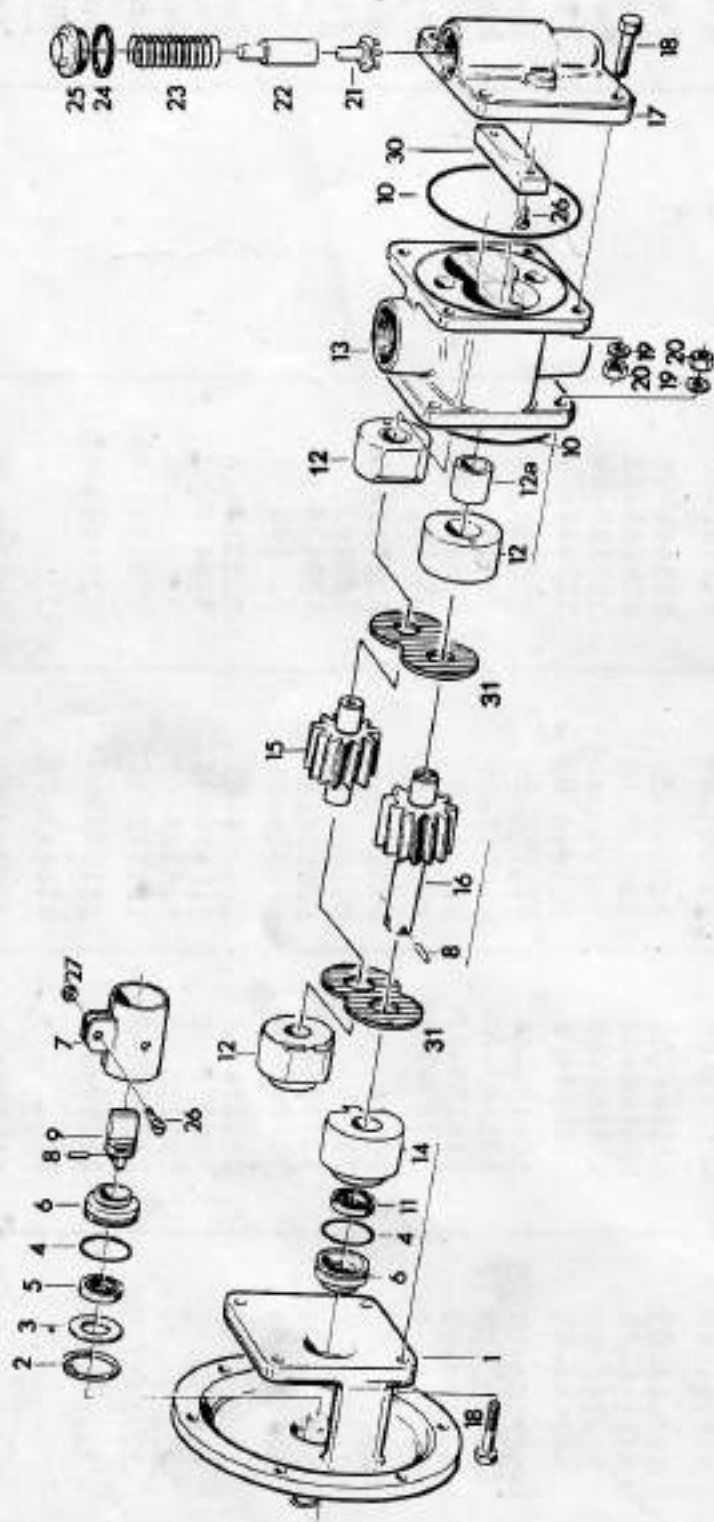
Order from the spare parts list whose pump number corresponds to that indicated on the pump number plate.

Faire la commande à l'aide de la liste de pièces de rechange dont le numéro de fabrication correspond à celui de la plaque d'identification de la pompe.



Ref.	Qty.	Pump number	Pump number	Pump number	Pump number	Pump number	Pump number	Description
1 - 31		526150-85	526030-86	526030 -87	526160-81			Pump, complete
1	1	525162-02	525158-02	525158-02	526132-02			Bearing bracing
2	1	223642-22	223642-22	223642-22	223642-22			Snap ring
3	1	526127-01	526127-01	526127-01	526127-01			Washer
4	2	223406-30	223406-30	223406-30	223406-30			Seal ring
5	1	223521-14	223521-12	223521-12	223521-12			Lipseal ring
6	1	526120-01	526120-01	526120-01	526120-01			Sleeve
7	2	526121-80	526121-80	526121-80	526121-80			Sleeve half
8	2	222119-02	222119-02	222119-02	222119-02			Tubular pin
9	1	526122-03	526122-03	526122-03	526122-03			Shear coupling
10	2	223406-40	223406-40	223406-40	68011			Seal ring
11	1	223521-12	223521-12	223521-12	223521-12			Lipseal ring
12	3	535741-80	535741-80	535741-80	535781-80			Bearing with bushing
12a	3	523644-03	523644-03	523644-03	523644-04			Bushing
13	1	526138-02	526138-02	526138-02	526142-02			Pump housing
14	1	535742-80	535742-80	535742-80	535780-80			Bearing with bushing
15	1	523644-03	523644-03	523644-03	523644-04			Bushing
15 -	1	526136-07	526136-07	526136-05	526143-01			Impeller
16 -	1	526137-07	526137-07	526137-05	526144-01			Impeller with shaft
17	1	526139-02	526139-02	526139-02	526147-02			Shield
18	8	2210941-01	2210941-01	2210941-01	2210947-01			Screw
19	8	20758	20758	20758	223101-50			Washer
20	8	73200	73200	73200	72946			Nut
21	1	525124-01	525124-01	525124-01	525139-02			Valve cone
22	1	526026-01	526026-01	526026-01	526148-01			Guide spindle
23	1	226214-65	226214-65	226214-65	226214-66			Spring
24	1	518470-02	518470-02	518470-02	518470-02			Packing
25	1	525125-01	525125-01	525125-01	525125-01			Plug
26	1	2211721-08	2211721-08	2211721-08	2211721-08			Screw
27	1	2218043-02	2218043-02	2218043-02	2218043-02			Nut
30		-	-	526141-05	-			Spacer
31	2	535743-04	535743-04	535743-04	535743-05			-- not for this pump Wear gasket

60.11b

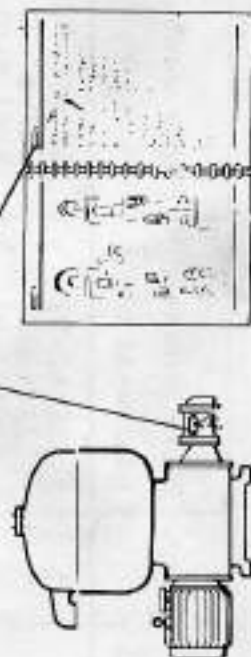


Aus der Ersatzteilliste bestellen, deren Pumpennummer derjenigen des Pumpenschildes entspricht.

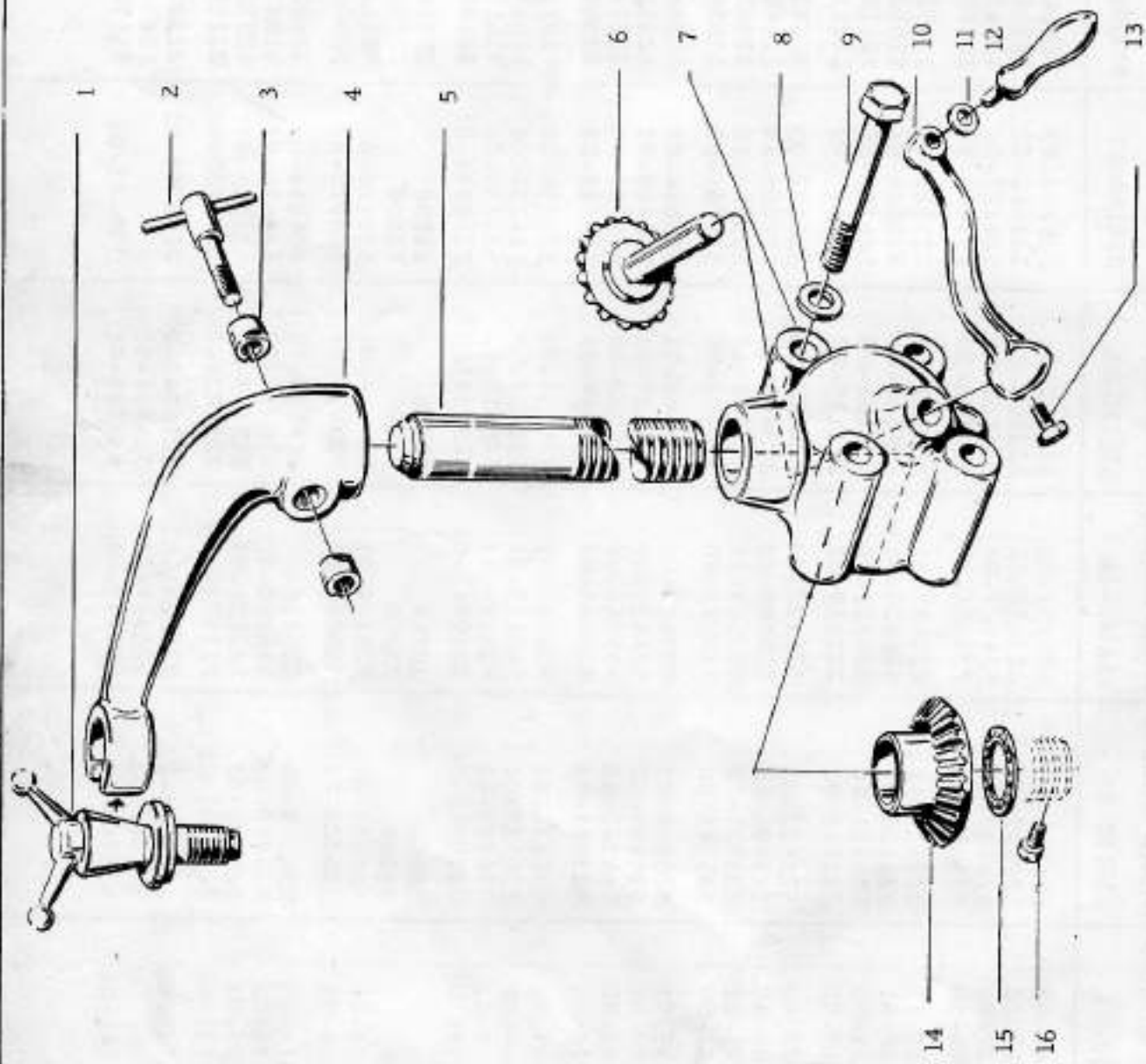
Faire la commande à l'aide de la liste de pièces de réchange dont le numéro de fabrication correspond à celui de la plaque d'identification de la pompe.

Beställ ur den reservdelista vars pumpnummer överensstämmer med pumpskyltens.

Order from the spare parts list whose pump number corresponds to that indicated on the pump number plate.



Ref.	Qty	Pump number	PUMP number	Pump number	Pump number	Pump number	Pump number	Pump number	Pump number	Description
1-31		526140-84	526140-85	526140-86	526150-88	526150-87	526150-86			Pump, complete
1	1	526131-02	526131-02	526131-02	525162-02	525162-02	525162-02	525162-02		Bearing bracing
2	1	223642-22	223642-22	223642-22	223642-22	223642-22	223642-22	223642-22		Snap ring
3	1	526127-01	526127-01	526127-01	526127-01	526127-01	526127-01	526127-01		Washer
4	2	223406-30	223406-30	223406-30	223406-30	223406-30	223406-30	223406-30		Seal ring
5	1	223521-11	223521-11	223521-11	223521-14	223521-14	223521-14	223521-14		Lipseal ring
6	2	526120-01	526120-01	526120-01	526120-01	526120-01	526120-01	526120-01		Sleeve
7	2	526121-80	526121-80	526121-80	526121-80	526121-80	526121-80	526121-80		Sleeve half
8	2	222119-02	222119-02	222119-02	222119-02	222119-02	222119-02	222119-02		Tubular pin
9	1	526122-03	526122-03	526122-03	526122-03	526122-03	526122-03	526122-03		Shear coupling
10	2	223406-40	223406-40	223406-40	223406-40	223406-40	223406-40	223406-40		Seal ring
11	1	223521-12	223521-12	223521-12	223521-12	223521-12	223521-12	223521-12		Lipseal ring
12	3	535741-80	535741-80	535741-80	535741-80	535741-80	535741-80	535741-80		Bearing with bushing
12a	3	523644-03	523644-03	523644-03	523644-03	523644-03	523644-03	523644-03		Bushing
13	1	526129-02	526129-02	526129-02	526129-02	526129-02	526129-02	526129-02		Pump housing
14	1	535742-80	535742-80	535742-80	535742-80	535742-80	535742-80	535742-80		Bearing with bushing
15	1	523644-03	523644-03	523644-03	523644-03	523644-03	523644-03	523644-03		Bushing
16	1	526136-04	526136-02	526136-01	526136-03	526136-04	526136-04	526136-05		Impeller
17	1	526137-04	526137-02	526137-01	526137-03	526137-04	526137-04	526137-05		Impeller with shaft
18	8	526139-02	526139-02	526139-02	526139-02	526139-02	526139-02	526139-02		Shield
19	8	2210941-01	2210941-01	2210941-01	2210941-01	2210941-01	2210941-01	2210941-01		Screw
20	8	20758	20758	20758	20758	20758	20758	20758		Washer
21	1	73200	73200	73200	73200	73200	73200	73200		Nut
22	1	525124-01	525124-01	525124-01	525124-01	525124-01	525124-01	525124-01		Valve cone
23	1	526026-01	526026-01	526026-01	526026-01	526026-01	526026-01	526026-01		Guide spindle
24	1	226214-65	226214-65	226214-65	226214-65	226214-65	226214-65	226214-65		Spring
25	1	518470-02	518470-02	518470-02	518470-02	518470-02	518470-02	518470-02		Packing
26	1	525125-01	525125-01	525125-01	525125-01	525125-01	525125-01	525125-01		Plug
27	1	2211721-08	2211721-08	2211721-08	2211721-08	2211721-08	2211721-08	2211721-08		Screw
30	1	2218043-02	2218043-02	2218043-02	2218043-02	2218043-02	2218043-02	2218043-02		Nut
31	2	535743-04	535743-04	535743-04	535743-04	535743-04	535743-04	535743-04		Spacer Wear gasket



Pos.	Qty.	MAB 204	MAB 205	MAB 206	MAB 207	MAB 209	Description	Notes
1-16							Lifting device	
1	1	520416-80	520416-80	520416-81	520416-81	520416-81	Lifting screw	
2	1	33069	33069	33052	33052	33052	Clamp screw	
3		33070	33070	33053	33053	33053	Gripping jaws (a pair)	
2, 3, 4	1	520534-83	520534-85	520530-81	520530-81	520530-84	Lifting arm	
5	1	520535-01	520535-01	520532-01	520532-01	520531-02	Spindle	
6	1	33071	33071	32663	32663	32663	Pinion	
7	1	33077	33077	32656	32656	520530-83	Gear housing	
8	4	70492	70492	70490	70490	70490	Washer	
9	4	2210947-09	2210947-09	2210947-11	2210949-11	2210949-11	Screw	
10	1	520532-2	520532-02	520532-02	520532-02	520532-02	Crank arm	
11	1	20758	20758	20758	20758	20758	Washer	
12	1	65469	65469	65469	65469	65469	Crank handle	
13	1	2210947-13	2210947-13	2210947-13	2210947-13	2210947-13	Screw	
14	1	33072	33072	63444	63444	65288	Pinion	
15	1	-	-	63443	63443	63443	Ball bearing	
16	1	2211725-06	2211725-06	2211725-06	2211725-06	2211725-06	Set screw	



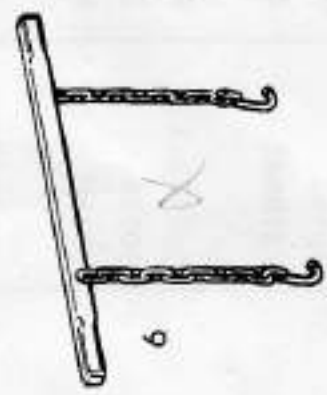
1



2



3



6



4



7



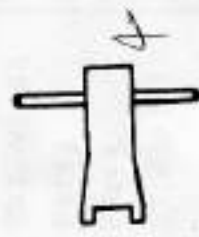
5



8



9



10



11



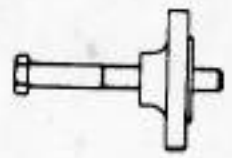
12



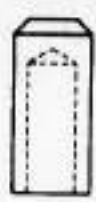
13



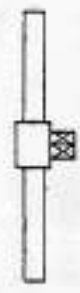
14



15



16



18



19



17

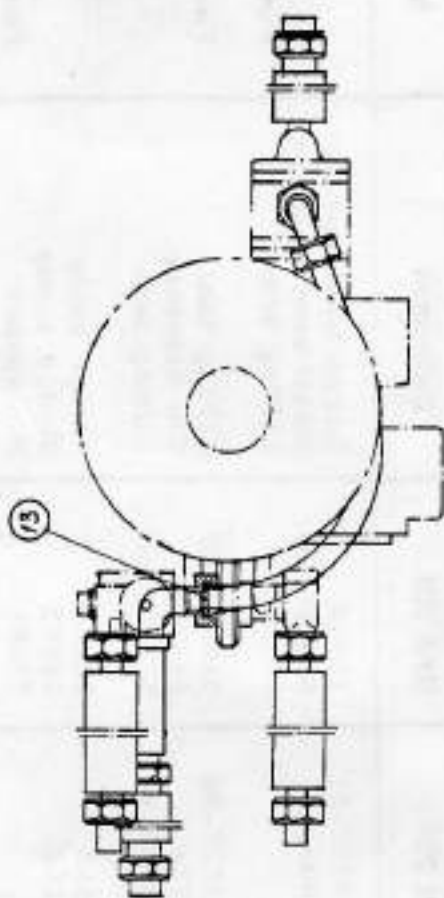
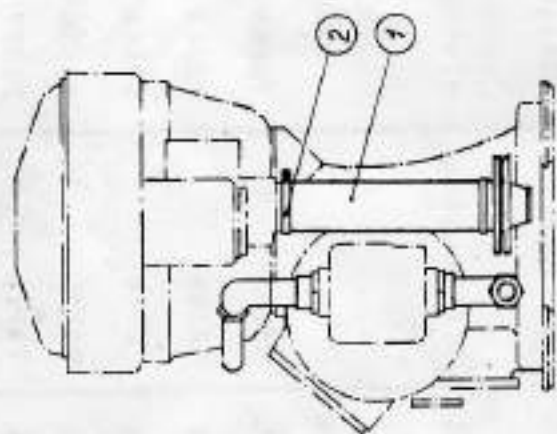
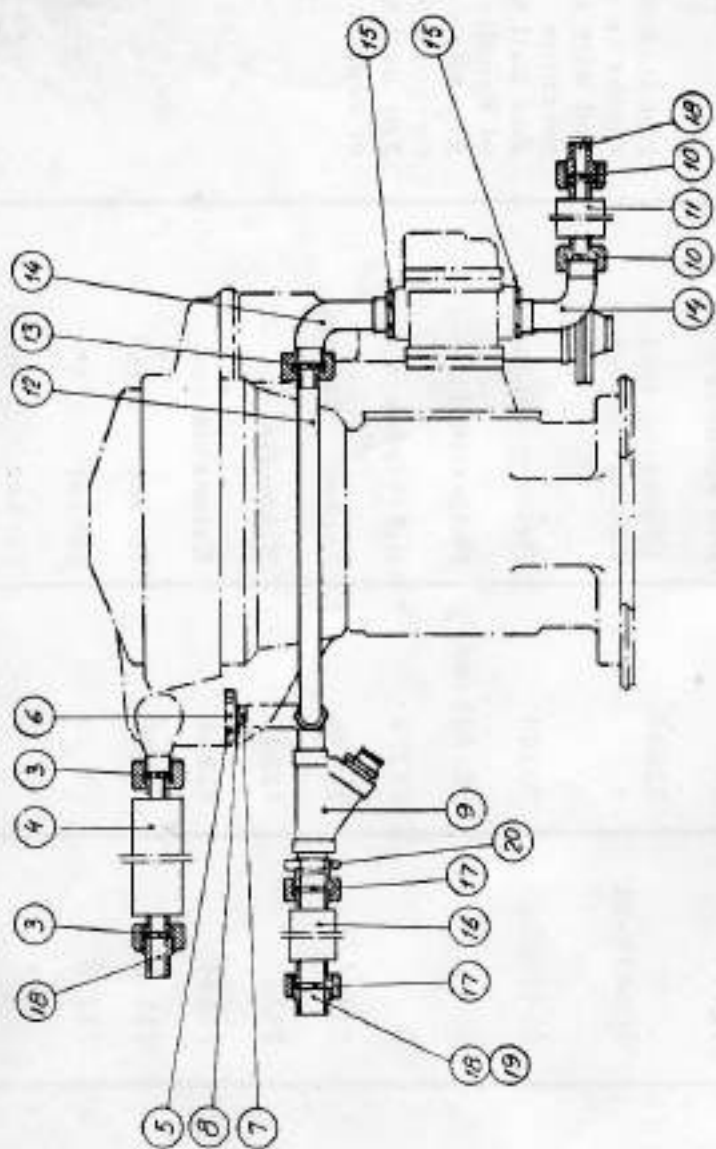


20

21

22

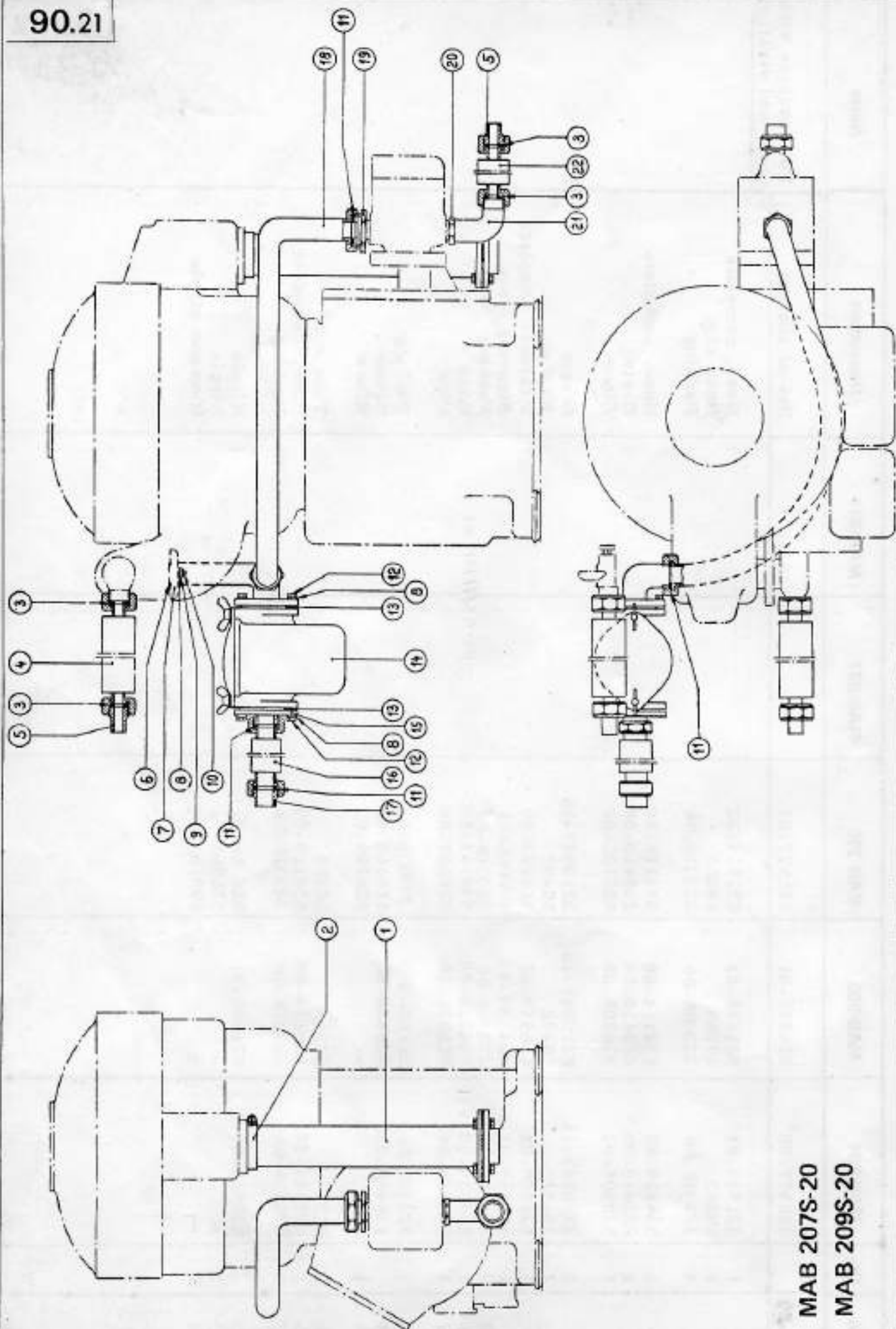
Pos.	Qty.	MAB 204	MAB 205	MAB 206	MAB 207	MAB 209	Description	Notes
1	1	520408-80	520408-81	519352-80	519352-81	33900	Large bowl spanner	For distributor
2	1	520404-80	520405-80	72625	69006	519226-80	Small bowl spanner	For bowl body
3	1	520417-02	-	-	-	-	Lifting screw	
4	1	521728-80	521728-80	519227-80	519227-80	518424-80	Lifting tool	
5	1	528927-01	528927-01	528927-01	64324	64324	Tin hammer	
6	1	-	-	522900-80	522900-80	522900-80	Lifting tool	
7	1	32818	32818	32818	32818	32818	Sludge knife	
8	1	33152	33152	33152	33152	33152	Sludge scoop	
9	1	521703-80	521703-80	-	-	73101	Pin spanner	For deflector of bowl spindle
10	1	37996	37996	-	-	-	Pin spanner	For round nuts at ball bearings
11	1	-	-	72719	72719	-	Pin spanner	
12	1	-	-	-	-	72685	Lining-up tool	Not included, if motor is delivered with the machine
13	1	525339-01	525339-01	525339-01	525339-01	-	Lining-up tool	For ball bearing of spindle
14	1	519636-01	519636-01	519293-02	519293-02	70293	Driving-off tool	For nave of coupling pulley
15	1	-	-	-	-	523249-80	Puller tool	For ball bearing of coupling
16	1	-	-	-	-	65374	Driving-on sleeve	
17	1	73085	73085	73085	73085	73085	Socket 24 mm	
18	1	72243	72243	72243	72243	72243	T-handle	
19	1	2244	72244	72244	72244	72244	Extension rod	
20	1	73376	73376	73376	73376	73376	Socket 9/16"	
21	1	73377	73377	73377	73377	73 77	Socket 3/4"	
22	1	72978	72978	-	-	-	Socket 11 mm	



MAB 204S-20
 MAB 205S-20
 MAB 206S-20

Pos.	Qty.	MAB 204	MAB 205	MAB 206	MAB 207	MAB 209	Description	Notes
1-20		526577-80	526577-81	526577-82			Set of fittings	For machine with pump and strainer
1	1	521535-81	521535-81	521535-82			Hose, complete	
2	1	69263	69263	69263			Hose clip	
3	4	223318-06	223318-06	223318-06			Packing	
4	2	534114-80	534114-80	534114-80			Hose, complete	
5	1	223410-08 *	223410-08	223410-08			O-ring	
6	1	526505-02	526505-02	526705-02			Elbow	
7	2	2210947-16	2210947-16	2210947-16			Screw	
8	2	70492	70492	70492			Washer	
9	1	526559-02	526559-02	515482-09			Strainer, complete	
10	1	526559-03	526559-03	515482-33			Strainer inset	
11	2	223318-06	223318-06	223318-06			Packing	
12	1	534114-80	534114-80	534114-80			Hose	
	1	526555-80	526575-80	526587-80			Pipe	
13	1	223318-06	223318-06	223318-05			Packing	
14	1	526468-02	526468-02	526468-02			Elbow	
14	1	-	-	526706-02			Elbow	
15	2	65313	65313	65313			Tube nut	
16	1	534114-80	534114-80	534115-80			Hose, complete	
17	2	223318-06	223318-06	223318-05			Packing	
18	1	526566-01	526566-01	526566-01			Nipple	
19	1	-	-	526567-01			Nipple	
20	1	-	-	69016			Hexagon nipple	

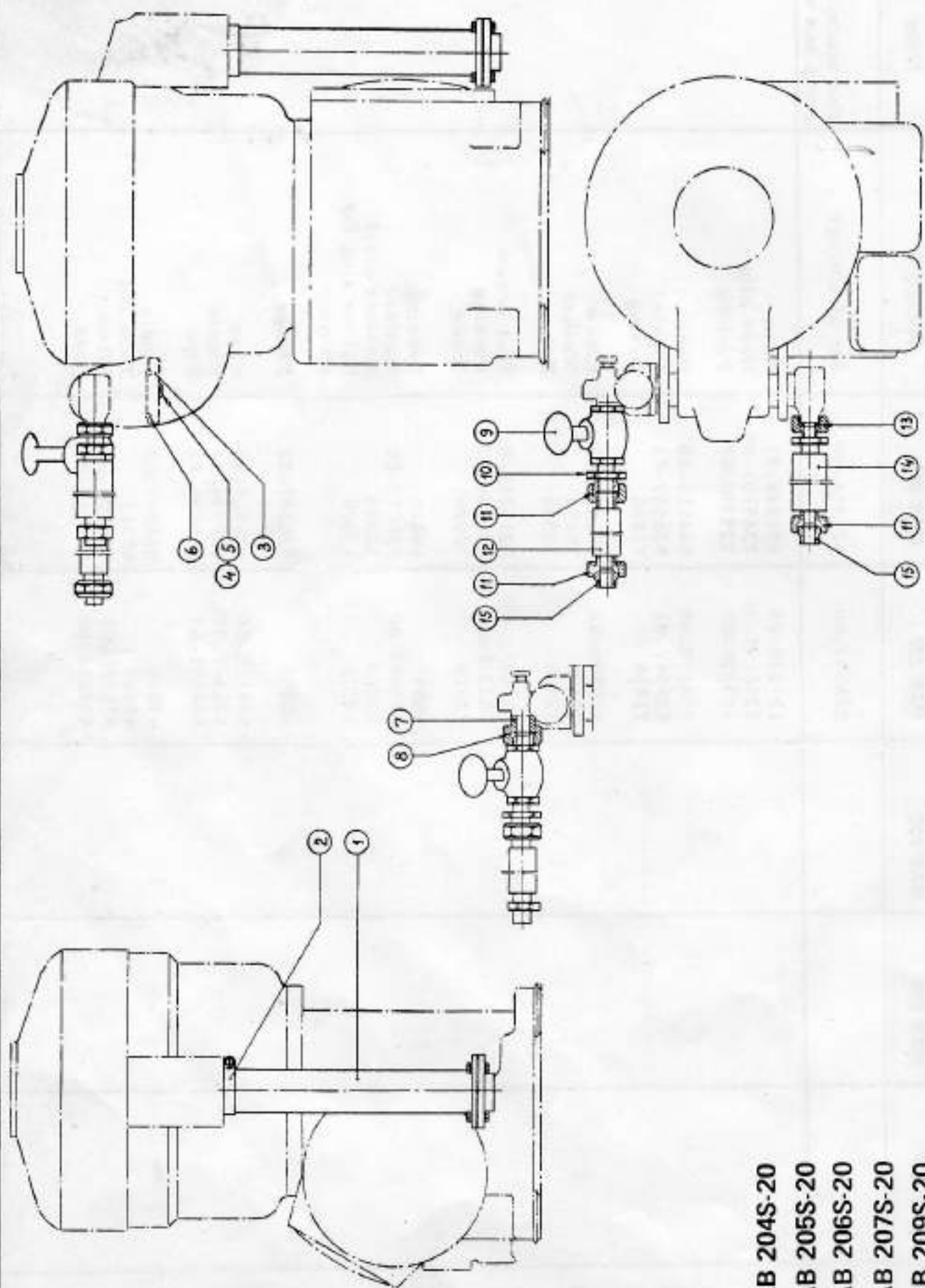
534114-81



MAB 207S-20
MAB 209S-20

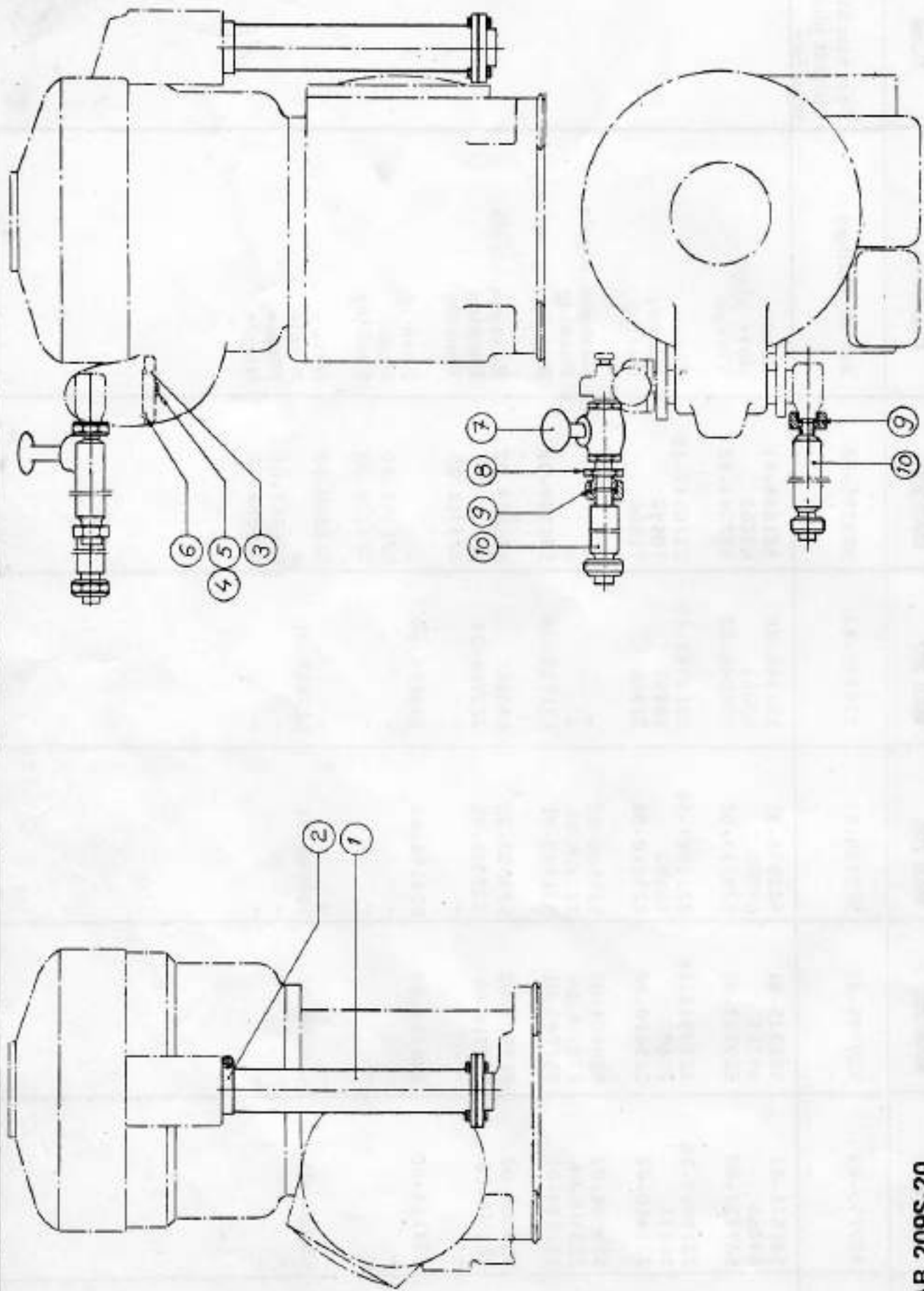
Pos.	Qty.	MAB 204	MAB 205	MAB 206	MAB 207	MAB 209	Description	Notes
1-22					526593-80	527951-80	Set of fittings	For machine with pump and strainer
1	1				521848-80	521848-81	Hose	
2	1				2245101-01	2245101-01	Hose clip	
3	6				223318-05	223318-05	Packing	
4	2				534115-80	534115-80	Hose	
5	3				526567-01	526567-01	Nipple	
6	1				71866	71866	O-ring	
7	1				526506-02	526857-02	Elbow	
8	10				70492	70492	Washer	
9	2				72946	72946	Nut	
10	2				2216261-01	2216261-01	Stud screw	
11	4				223318-05	223320-05	Packing	
12	8				72926	72926	Screw	
13	2				68595	68840	Packing	
14	1				520683-80	526873-80	Strainer	
-	1				62208	62208	Strainer inset	
-	1				64100	64100	Rubber ring for strainer	
15	1				68598	526847-02	Flange	
16	1				534115-80	526860-80	Hose	
17	1				526567-01	527944-01	Nipple	
18	1				526591-80	526595-80	Pipe	
19	1				69016	526859-02	Nipple	
20	1				65313	65313	Tube nut	
21	1				526706-02	526706-02	Elbow	
22	1				534115-80	534115-80	Hose	

90.22



MAB 204S-20
MAB 205S-20
MAB 206S-20
MAB 207S-20
MAB 209S-20

Pos.	Qty.	MAB 204	MAB 205	MAB 206	MAB 207	MAB 209	Description	Notes
1-15		529795-81	529795-81	529795-81	529795-82	529795-83	Set of fittings	For machine without pump and strainer
1	1	521535-81	521535-81	521535-81	521848-80	521848-81	Hose	
2	1	69263	69263	69263	69263	69263	Hose clip	
3	1	529733-02	529733-02	529733-02	532044-02	532044-02	Flange	
4	2	2210947-16	2210947-16	2210947-16	2210947-15	2210947-15	Screw	
5	2	70492	70492	70492	70492	70492	Washer	
6	1	223410-08	223410-08	223410-08	71866	71866	O-ring	
7	1	529504-02	529504-02	529504-02	-	-	Hexagon nipple	
8	1	223318-06	223318-06	223318-06	-	-	Packing	
9	1	531749-01	531749-01	531749-01	531749-02	531749-02	Regulating valve	
10	1	529503-02	529503-02	529503-02	69016	526859-02	Hexagon nipple	
11	4	223318-06	223318-06	223318-06	223318-05	-	Packing	
11	2	-	-	-	-	223318-05	Packing	
12	2	534114-80	534114-80	534114-80	534115-80	-	Hose	
12	1	-	-	-	-	526561-80	Hose	
13	2	-	-	-	-	223320-05	Packing	
14	1	-	-	-	-	526860-80	Hose	
15	2	526566-01	526566-01	526566-01	526567-01	-	Nipple	
15	1	-	-	-	-	526567-01	Nipple	
15	1	-	-	-	-	527944-01	Nipple	

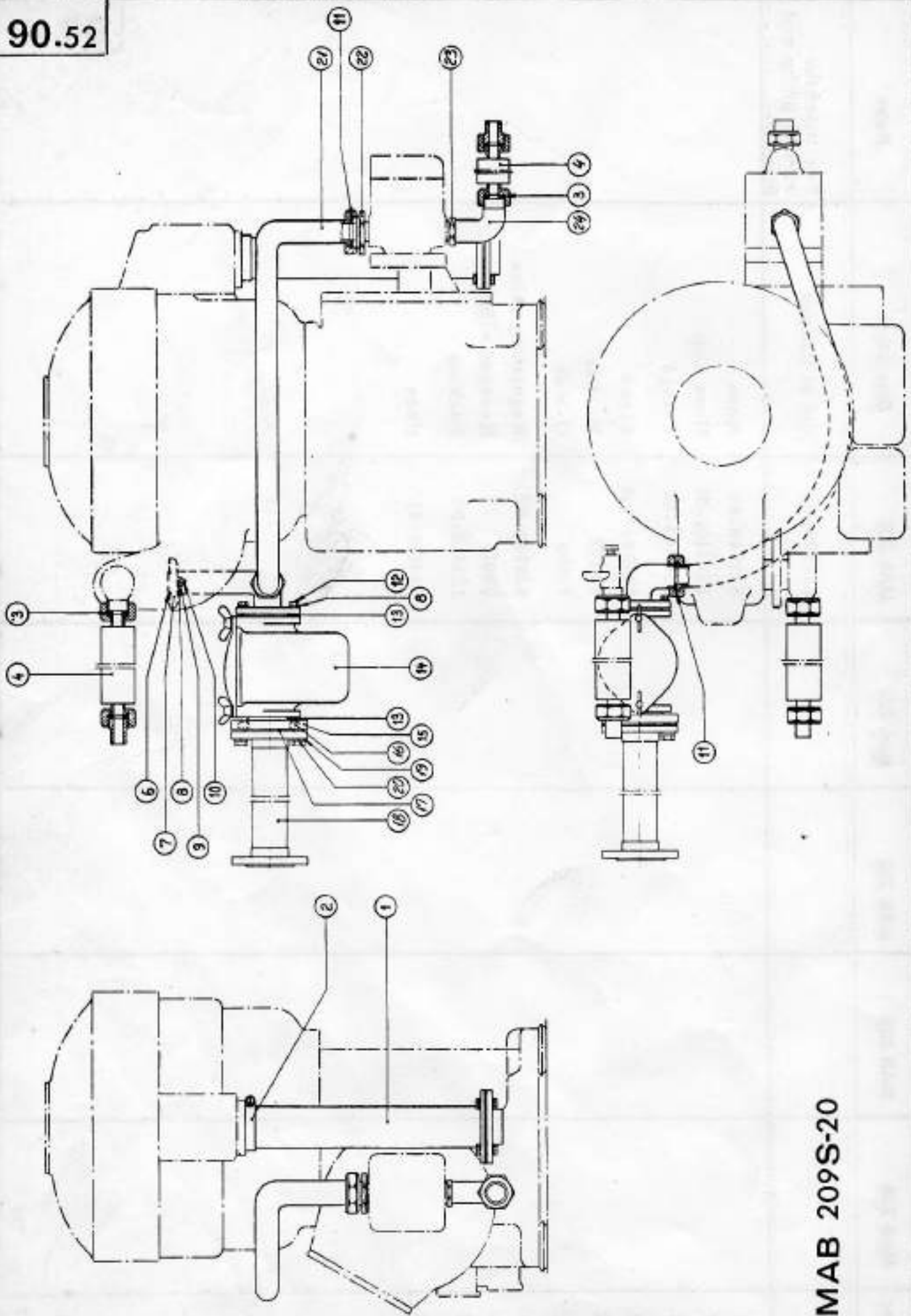


MAB 209S-20

Pos.	Qty.	MAB 204	MAB 205	MAB 206	MAB 207	MAB 209	Description	Notes
1-10						537580-81	Set of fittings	For machine without pump and strainer
1	1					521848-81	Hose	
2	1					2245101-01	Hose clip	
3	1					532044-02	Flange	
4	2					2210947-15	Screw	
5	2					70492	Washer	
6	1					71866	O-ring	
7	1					531749-02	Regulating valve	
8	1					69016	Hexagon nipple	
9	2					223318-05	Packing	
10	2					534115-81	Hose	

90.42

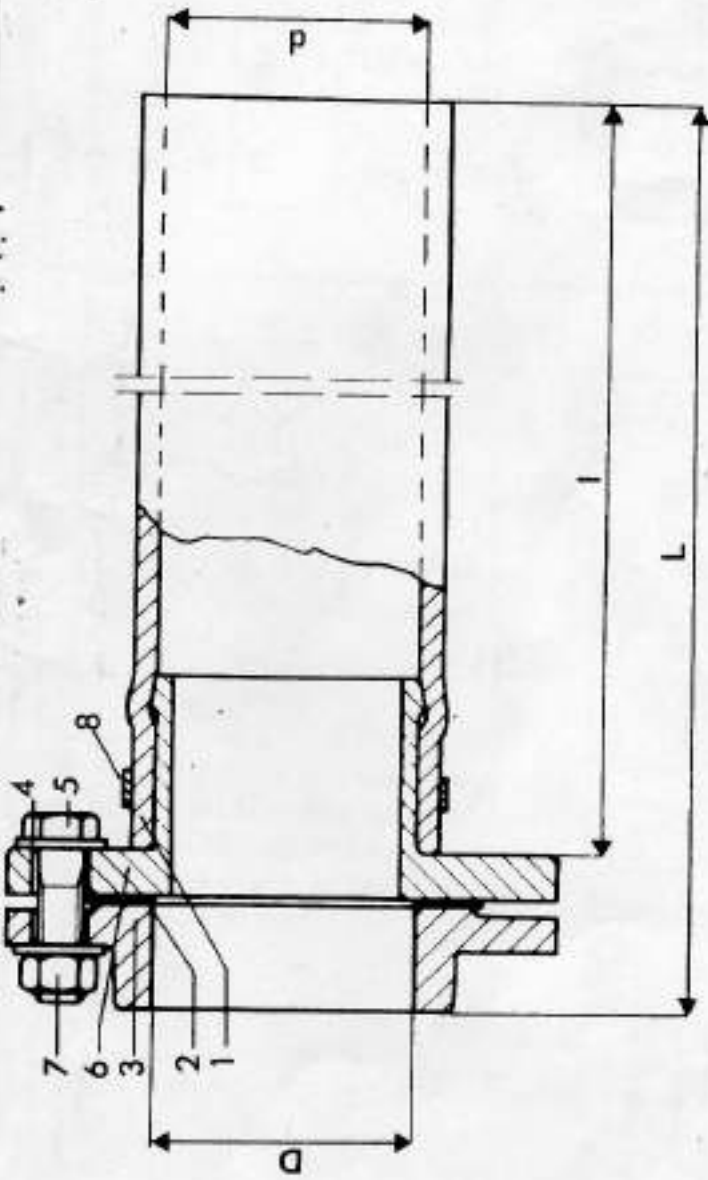
90.52



MAB 209S-20

Pos.	Qty.	MAB 204	MAB 205	MAB 206	MAB 207	MAB 209	Description	Notes
1-24						537571-80	Set of fittings	For machine with pump and strainer
1	1					521848-81	Connecting hose	
2	1					2245101-01	Hose clip	
3	3					223318-05	Packing	
4	3					534115-81	Connecting hose	
6	1					71866	O-ring	
7	1					526857-02	Elbow	
8	6					70492	Washer	
9	2					72946	Nut	
10	2					2216261-01	Stud screw	
11	2					223320-05	Packing	
12	4					72926	Screw	
13	2					68840	Packing	
14	1					526873-80	Strainer	
-	1					62208	Strainer inset	
-	1					64100	Rubber ring for strainer	
15	1					537570-01	Flange	
16	4					2217767-13	Screw	
17	1					74040	Packing	
18	1					537521-01	Connecting hose	
19	4					70490	Washer	
20	4					2210462-10	Screw	
21	1					526595-80	Pipe	
22	1					526859-02	Nipple	
23	1					65313	Tube nut	
24	1					526706-02	Elbow	

90.51



Pos.	Qty.	MAB 204	MAB 205	MAB 206	MAB 207	MAB 209	Description	Notes
d			2 1/2"					
D			2"		3"	3"		
1			315 mm		2 3/4"	2 3/4"		
L			360 mm		345 mm	475 mm		
					393 mm	523 mm		
1	1		515488-11		520681-01	520687-02	Hose	
2	1		68840		68987	68987	Packing	
3	1		2532201-17		2532201-19	2532201-19	Counter flange	
4	8		70492		70492	70492	Washer	
5	4		2210947-01		2210947-01	2210947-01	Screw	
6	1		521538-02		521850-02	521850-02	Flange	
7	4		72946		72946	72946	Nut	
8	1		69263		2245101-01	2245101-01	Hose clip	